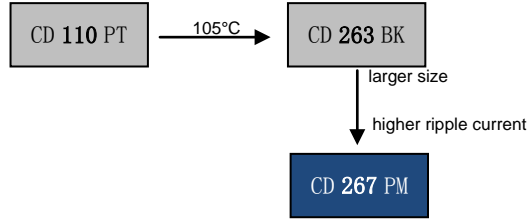


# CD 267 PM Series



2000h at 105°C

- Body diameter of  $\phi 16\text{mm}$  to  $\phi 25\text{mm}$
- With high ripple current capability  
For switching adapter
- Expanded rated voltage range



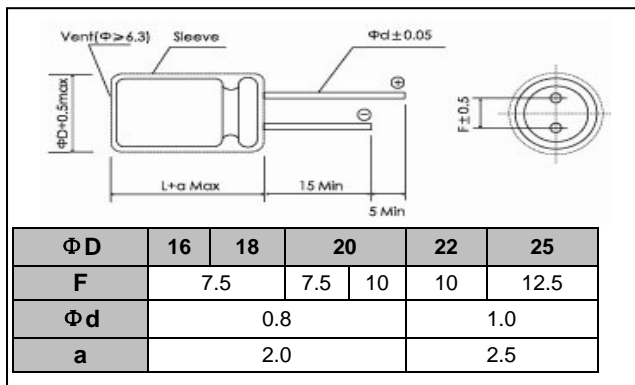
Items	Characteristics											
Operating Temperature Range(°C)	-55 ~ +105						-40 ~ +105					
Voltage Range (V)	6.3~ 100						160 ~ 450					
Capacitance Range(µF)	56 ~ 33000											
Capacitance Tolerance (20°C,120Hz)	±20%											
Leakage Current (µA)	After 2 minutes at 20°C application of rated voltage, leakage current is not more than 0.01CV . C:Nominal Capacitance(µF) V:Rated Voltage(V)											
Dissipation Factor (20°C, 120Hz)	Rated Voltage(V)	6.3	10	16	25	35	50	63	100	160~200	400	450
	Tan δ(max)	0.28	0.24	0.20	0.16	0.14	0.12	0.10	0.08	0.12	0.15	0.20
When nominal capacitance is over 1000µF tan δ shall be added 0.02 to the listed value with increase of every 1000µF												
Stability at Low Temperature (Impedance Ratio at 120Hz)	Rated Voltage(V)											
	Impedance Ratio	Z <sub>-25°C/+20°C</sub>	5	4	3	2				3	6	8
		Z <sub>-40°C/+20°C</sub>	10	8	6	4	3			4	10	15

	Useful Life		Load Life	Endurance Test	Shelf Life
Lifetime	$\phi \leq 8$ :3000h $\phi \geq 10$ :4000h	$\phi \leq 8$ :35000h $\phi \geq 10$ :50000h	2000h	2000h	1000h
Leakage Current	Not more than specified value		Not more than specified value	Not more than specified value	Not more than specified value
Capacitance Change	Within ±50% of initial value		Within ±20% of initial value	Within ±20% of initial value	Within ±20% of initial value
Dissipation Factor	Not more than 300% of specified value		Not more than 200% of specified value	Not more than 150% of specified value	Not more than 200% of specified value
Condition: Applied Voltage Applied Current Applied Temperature	$U_R$ $I_R$ 85°C	$U_R$ $1.4 \times I_R$ 40°C	$U_R$ $I_R$ 85°C	$U_R$ $I_R = 0$ 85°C	After test: $U_R$ to be applied for 30min>24h before measurement

## Dimensions

mm

## Frequency Coefficient



Rated Voltage(v)	Frequency					
	Cap(µF)	50/60Hz	120Hz	300Hz	1KHZ	≥10KHZ
63~100	≤470	0.75	1.00	1.35	1.57	2.00
	>470	0.85	1.00	1.10	1.13	1.15
160~450	≤220	0.80	1.00	1.25	1.40	1.60
	>220	0.90	1.00	1.10	1.13	1.15

## Temperature Coefficient

Temperature(°C)	+70	+80	+105
Rated Voltage(V)			
6.3~100	2.0	1.7	1.0
160~450	1.8	1.4	1.0

## Ratings for CD 267 PM Series

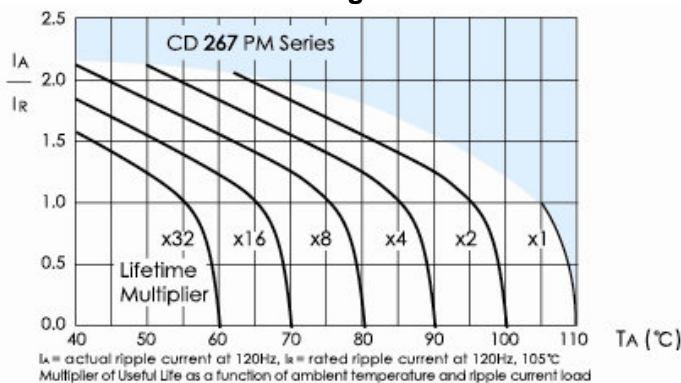
U <sub>R</sub> (Surge Voltage) Code	Rated Capacitance	Max ESR 20°C, 120Hz	Typ ESR 20°C, 120Hz	Rated Ripple Current 105°C, 120Hz	Size ΦD×L	P/N
(v)	(μF)	(Ω)	(Ω)	(mArms)	(mm)	-
6.3 (7.2) 0J	10000	0.058	0.041	1650	16x25	ECR0JPM103M□□160025
	15000	0.048	0.034	2010	16x35.5	ECR0JPM153M□□160035
	22000	0.041	0.029	2350	18x40	ECR0JPM223M□□180040
	33000	0.036	0.026	2800	22x51	ECR0JPM333M□□220051
10 (13) 1A	6800	0.066	0.047	1570	16x25	ECR1APM682M□□160025
	10000	0.053	0.037	1890	16x35.5	ECR1APM103M□□160035
	15000	0.044	0.031	2180	18x35.5	ECR1APM153M□□180035
	22000	0.039	0.027	2650	20x41	ECR1APM223M□□200041
16 (20) 1C	33000	0.035	0.025	3250	22x51	ECR1APM333M□□220051
	4700	0.073	0.051	1480	16x25	ECR1CPM472M□□160025
	6800	0.059	0.041	1780	16x35.5	ECR1CPM682M□□160035
	10000	0.048	0.034	2060	18x35.5	ECR1CPM103M□□180035
25 (32) 1E	15000	0.041	0.029	2430	20x41	ECR1CPM153M□□203041
	22000	0.036	0.026	3003	22x51	ECR1CPM223M□□220051
	33000	0.033	0.023	3450	25x51	ECR1CPM333M□□250051
	3300	0.080	0.056	1400	16x25	ECR1EPM332M□□160025
35 (44) 1V	4700	0.062	0.043	1710	16x31.5	ECR1EPM472M□□160031
	6800	0.047	0.033	2040	18x35.5	ECR1EPM682M□□180035
	10000	0.040	0.028	2150	20x41	ECR1EPM103M□□200041
	15000	0.035	0.025	2750	22x51	ECR1EPM153M□□220051
50 (63) 1H	22000	0.033	0.023	3250	25x51	ECR1EPM223M□□250051
	2200	0.097	0.068	1260	16x25	ECR1VPM222M□□160025
	3300	0.072	0.050	1610	16x35.5	ECR1VPM332M□□160035
	4700	0.056	0.039	1910	18x35.5	ECR1VPM472M□□180035
50 (63) 1H	6800	0.043	0.030	2150	20x41	ECR1VPM682M□□200041
	10000	0.037	0.026	2650	22x51	ECR1VPM103M□□220051
	15000	0.034	0.024	3100	25x51	ECR1VPM153M□□250051
	2200	0.084	0.059	1470	16x35.5	ECR1HPM222M□□160035
50 (63) 1H	3300	0.064	0.045	1770	18x35.5	ECR1HPM332M□□180335
	4700	0.051	0.036	2100	20x41	ECR1HPM472M□□200041
	6800	0.039	0.027	2500	22x51	ECR1HPM682M□□220051
50 (63) 1H	10000	0.035	0.025	2850	25x51	ECR1HPM103M□□250051

U <sub>R</sub> (Surge Voltage) Code	Rated Capacitance	Max ESR 20°C, 120Hz	Typ ESR 20°C, 120Hz	Rated Ripple Current 105°C, 120Hz	Size ΦD×L	P/N
(v)	(μF)	(Ω)	(Ω)	(mArms)	(mm)	-
63 (79) 1J	1000	0.133	0.093	930	16x25	ECR1JPMI02M□□160025
	2200	0.072	0.05	1650	18x35.5	ECR1JPM222M□□180035
	3300	0.056	0.039	1950	20x41	ECR1JPM332M□□200041
	4700	0.045	0.031	2450	22x51	ECR1JPM472M□□220051
100 (125) 2A	6800	0.035	0.025	2800	25x51	ECR1JPM682M□□250051
	470	0.226	0.158	715	16x25	ECR2APM471M□□160025
	1000	0.106	0.074	985	20x41	ECR2APM102M□□200041
	2200	0.060	0.042	1750	22x51	ECR2APM222M□□220051
160 (200) 2C	3300	0.048	0.034	2070	25x51	ECR2APM332M□□250051
	220	0.724	0.507	570	16x35.5	ECR2CPM221M□□160035
	330	0.483	0.338	750	18x40	ECR2CPM331M□□180040
	470	0.339	0.237	900	22x41	ECR2CPM471M□□220041
200 (250) 2D	1000	0.159	0.111	1310	25x51	ECR2CPM102M□□250051
	270	0.590	0.41	870	18x31.5	ECR2DPM271M□□180031
	330	0.483	0.338	1010	18x36	ECR2DPM331M□□180036
		0.483	0.338	1010	18x31.5	ECR2DPM331M□□180031
400 (450) 2G	390	0.408	0.286	1017	18x36	ECR2DPM391M□□180036
	470	0.408	0.286	1130	18x40	ECR2DPM391M□□180040
		0.339	0.237	1270	20x41	ECR2DPM471M□□200041
	560	0.284	0.199	1390	20x45	ECR2DPM561M□□200045
400 (450) 2G	100	1.990	1.035	580	16x35.5	ECR2GPM101M□□160035
		1.990	1.035	580	18x31.5	ECR2GPM101M□□180031
	120	1.659	0.862	670	18x36	ECR2GPM121M□□180036
	150	1.327	0.69	770	18x40	ECR2GPM151M□□180040
450 (500) 2W	180	1.106	0.575	880	20x41	ECR2GPM181M□□200041
	220	0.905	0.471	1000	22x41	ECR2GPM221M□□220041
	56	4.739	2.464	440	16x31.5	ECR2WPM560M□□160031
		3.903	2.03	490	16x35.5	ECR2WPM680M□□160035
450 (500) 2W	82	3.236	1.726	550	16x40	ECR2WPM820M□□160040
		3.236	1.726	550	18x31.5	ECR2WPM820M□□180031
	100	2.654	1.41	650	18x36	ECR2WPM101M□□180036
	120	2.212	1.17	740	18x40	ECR2WPM121M□□180040
450 (500) 2W	150	1.769	0.937	800	20x41	ECR2WPM151M□□200041

Customer products are available on request.

## Lifetime Diagram

### Lifetime Diagram 63-100V



### Lifetime Diagram 160-450V

