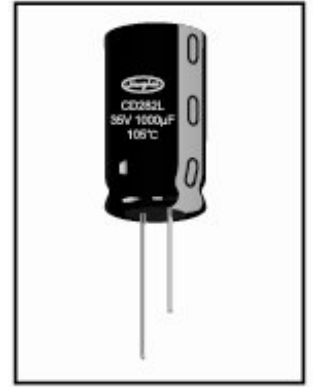
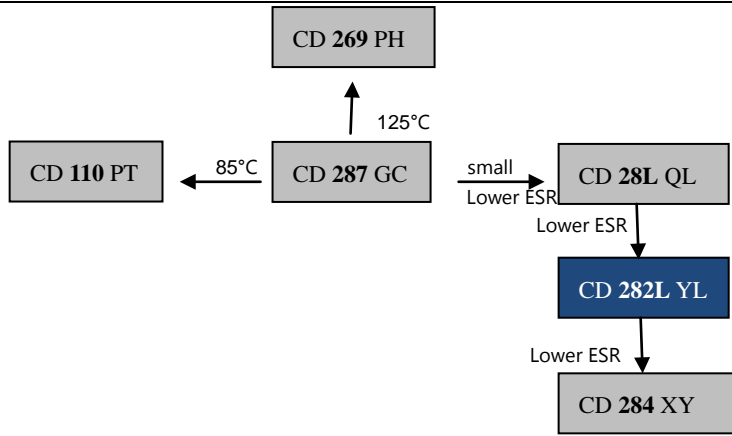


4000~10000h at 105°C

- Ultra Low Impedance
- Switching power supplies
- High ripple current

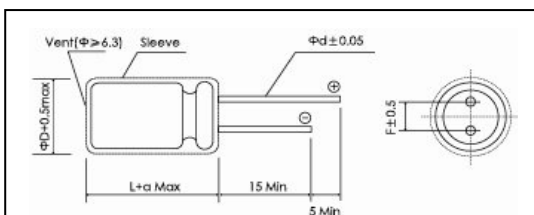


Items	Characteristics																											
Operating Temperature Range(°C)	-40 ~ +105																											
Voltage Range (V)	6.3 ~ 100																											
Capacitance Range(µF)	6.8~18000																											
Capacitance Tolerance (20°C,120Hz)	±20%																											
Leakage Current (µA)	After 2 minutes at 20°C application of rated voltage, leakage current is not more than 0.01CV or 3µA, whichever is greater C:Nominal Capacitance(µF) V:Rated Voltage(V)																											
Dissipation Factor (20°C, 120Hz)	<table border="1"> <thead> <tr> <th>WV(V)</th> <th>6.3</th> <th>10</th> <th>16</th> <th>25</th> <th>35</th> <th>50</th> <th>63</th> <th>100</th> </tr> </thead> <tbody> <tr> <td>Tan δ</td> <td>0.22</td> <td>0.19</td> <td>0.16</td> <td>0.14</td> <td>0.12</td> <td>0.10</td> <td>0.09</td> <td>0.08</td> </tr> </tbody> </table>	WV(V)	6.3	10	16	25	35	50	63	100	Tan δ	0.22	0.19	0.16	0.14	0.12	0.10	0.09	0.08									
	WV(V)	6.3	10	16	25	35	50	63	100																			
Tan δ	0.22	0.19	0.16	0.14	0.12	0.10	0.09	0.08																				
When nominal capacitance is over 1000µF tan δ shall be added 0.02 to the listed value with increase of every 1000µF																												
Stability at Low Temperature (Impedance Ratio at 120Hz)	<table border="1"> <thead> <tr> <th>Rated Voltage (V)</th> <th>6.3</th> <th>10</th> <th>16</th> <th>25</th> <th>35</th> <th>50</th> <th>63</th> <th>100</th> </tr> </thead> <tbody> <tr> <td>Z<sub>-25°C</sub> / Z<sub>20°C</sub></td> <td>4</td> <td>3</td> <td>2</td> <td>2</td> <td>2</td> <td>2</td> <td>2</td> <td>2</td> </tr> <tr> <td>Z<sub>-40°C</sub> / Z<sub>20°C</sub></td> <td>8</td> <td>6</td> <td>4</td> <td>3</td> <td>3</td> <td>3</td> <td>3</td> <td>3</td> </tr> </tbody> </table>	Rated Voltage (V)	6.3	10	16	25	35	50	63	100	Z <sub>-25°C</sub> / Z <sub>20°C</sub>	4	3	2	2	2	2	2	2	Z <sub>-40°C</sub> / Z <sub>20°C</sub>	8	6	4	3	3	3	3	3
	Rated Voltage (V)	6.3	10	16	25	35	50	63	100																			
	Z <sub>-25°C</sub> / Z <sub>20°C</sub>	4	3	2	2	2	2	2	2																			
Z <sub>-40°C</sub> / Z <sub>20°C</sub>	8	6	4	3	3	3	3	3																				

Life Time	Useful Life				Load Life		Endurance Life		Shelf Life
	6.3~10V	16~100V	≥25000h	6.3~10V	16~100V	6.3~10V	16~100V		
φ 5~6.3	6000h	7000h		4000h	5000 h	6000h	7000 h	1000h	
φ 8~10	8000h	9000h		6000h	7000h	8000h	9000h		
φ 12.5~18	10000h	12000h		8000h	10000h	10000h	12000h		
Leakage Current	Not more than specified value		Not more than specified value		Not more than specified value		Not more than specified value		
Capacitance Change	Within ±40% of initial value		Within ±25% of initial value		Within ±25% of initial value		Within ±20% of initial value		
Dissipation Factor	No more than 300% of specified value		Not more than 200% of specified value		Not more than 200% of specified value		Not more than 200% of specified value		
Condition: Applied Voltage Applied Current Applied Temperature	Ur Ir 105°C	Ur Ir 40°C	Ur Ir 105°C	Ur Ir 105°C	Ur Ir=0 105°	Ur=0 Ir=0 105°	After test:Ur to be applied for 30min>24h before measurement		

## Dimensions

## mm Frequency Coefficient



ΦD	5	6.3	8	10	12.5	16	18
F	2.0	2.5	3.5	5.0		7.5	
Φd	0.5		0.6			0.8	
a	1.5			2.0			

Frequency Cap(µF)	120HZ	1kHz	10kHz	100kHz
6.8~33	0.42	0.70	0.90	1.00
39~270	0.50	0.73	0.92	1.00
330~680	0.55	0.77	0.94	1.00
820~1800	0.60	0.80	0.96	1.00
2200~18000	0.70	0.85	0.98	1.00

## Temperature Coefficient

Temperature(°C)	+65	+85	+105
Coefficient	2.0	1.7	1.0



# CD282L YL SERIES

## Ratings for CD 282L YL Series

U <sub>R</sub> (Surge Voltage) Code	Rated Capacitance	Max Imp 20°C, 100KHz	Max Imp -10°C, 100KHz	Rated Ripple Current 105°C, 100KHz	Size Φ D x L	P/N	U <sub>R</sub> (Surge Voltage) Code	Rated Capacitance	Max Imp 20°C, 100KHz	Max Imp -10°C, 100KHz	Rated Ripple Current 105°C, 100KHz	Size Φ D x L	P/N
(v)	(μF)	(Ω)	(Ω)	(mA <sub>RMS</sub> )	(mm)	-	(v)	(μF)	(Ω)	(Ω)	(mA <sub>RMS</sub> )	(mm)	-
<b>6.3 (7.2) 0J</b>	150	0.58	2.3	210	5x11.5	ECR0JYL151M□□050011	<b>16 (20) 1C</b>	56	0.58	2.3	210	5x11.5	ECR1CYL560M□□050011
	330	0.22	0.87	340	6.3x11.5	ECR0JYL331M□□063011		120	0.22	0.87	340	6.3x11.5	ECR1CYL121M□□063011
	680	0.13	0.52	640	8x11.5	ECR0JYL681M□□080011		330	0.13	0.52	640	8x11.5	ECR1CYL331M□□080011
	820	0.080	0.32	865	10x12.5	ECR0JYL821M□□100012		470	0.087	0.35	840	8x16	ECR1CYL471M□□080016
	1000	0.087	0.35	840	8x16	ECR0JYL102M□□080016		470	0.080	0.32	865	10x12.5	ECR1CYL471M□□100012
	1200	0.069	0.27	1050	8x20	ECR0JYL122M□□080020		680	0.069	0.27	1050	8x20	ECR1CYL681M□□080020
	1200	0.060	0.24	1210	10x16	ECR0JYL122M□□100016		680	0.060	0.24	1210	10x16	ECR1CYL681M□□100016
	1500	0.046	0.18	1400	10x20	ECR0JYL152M□□100020		1000	0.046	0.18	1400	10x20	ECR1CYL102M□□100020
	1800	0.049	0.16	1450	12.5x16	ECR0JYL182M□□125016		1000	0.049	0.16	1450	12.5x16	ECR1CYL102M□□125016
	2200	0.042	0.17	1650	10x25	ECR0JYL222M□□100025		1200	0.042	0.17	1650	10x25	ECR1CYL122M□□100025
	2700	0.031	0.12	1910	10x30	ECR0JYL272M□□100030		1500	0.031	0.12	1910	10x30	ECR1CYL152M□□100030
	2700	0.042	0.12	1940	16x16	ECR0JYL272M□□160016		1500	0.035	0.12	1900	12.5x20	ECR1CYL152M□□125020
	3300	0.035	0.12	1900	12.5x20	ECR0JYL332M□□125020		1500	0.042	0.12	1940	16x16	ECR1CYL152M□□160016
	3900	0.027	0.089	2230	12.5x25	ECR0JYL392M□□125025		2200	0.027	0.089	2230	12.5x25	ECR1CYL222M□□125025
	3900	0.043	0.11	2210	18x16	ECR0JYL392M□□180016		2200	0.043	0.11	2210	18x16	ECR1CYL222M□□180016
	4700	0.024	0.078	2650	12.5x30	ECR0JYL472M□□125030		2700	0.024	0.078	2650	12.5x30	ECR1CYL272M□□125030
	5600	0.020	0.065	2880	12.5x35	ECR0JYL562M□□125035		2700	0.027	0.078	2530	16x20	ECR1CYL272M□□160020
	5600	0.027	0.078	2530	16x20	ECR0JYL562M□□160020		3300	0.020	0.065	2880	12.5x35	ECR1CYL332M□□125035
	6800	0.017	0.056	3350	12.5x40	ECR0JYL682M□□125040		3900	0.017	0.056	3350	12.5x40	ECR1CYL392M□□125040
	6800	0.021	0.060	2930	16x25	ECR0JYL682M□□160025		3900	0.021	0.060	2930	16x25	ECR1CYL392M□□160025
6800	0.026	0.067	2860	18x20	ECR0JYL682M□□180020	3900	0.026	0.067	2860	18x20	ECR1CYL392M□□180020		
8200	0.017	0.050	3450	16x31.5	ECR0JYL822M□□160031	4700	0.017	0.050	3450	16x31.5	ECR1CYL472M□□160031		
10000	0.015	0.044	3610	16x35.5	ECR0JYL103M□□160035	4700	0.019	0.049	3140	18x25	ECR1CYL472M□□180025		
10000	0.019	0.049	3140	18x25	ECR0JYL103M□□180025	5600	0.015	0.044	3610	16x35.5	ECR1CYL562M□□160035		
12000	0.013	0.038	4080	16x40	ECR0JYL123M□□160040	5600	0.015	0.040	4170	18x31.5	ECR1CYL562M□□180031		
12000	0.015	0.040	4170	18x31.5	ECR0JYL123M□□180031	6800	0.013	0.038	4080	16x40	ECR1CYL682M□□160040		
15000	0.014	0.038	4220	18x35.5	ECR0JYL153M□□180035	8200	0.014	0.038	4220	18x35.5	ECR1CYL822M□□180035		
18000	0.012	0.032	4280	18x40	ECR0JYL183M□□180040	10000	0.012	0.032	4280	18x40	ECR1CYL103M□□180040		
<b>10 (13) 1A</b>	100	0.58	2.3	210	5x11.5	ECR1AYL101M□□050011	<b>25 (32) 1E</b>	47	0.58	2.3	210	5x11.5	ECR1EYL470M□□050011
	220	0.22	0.87	340	6.3x11.5	ECR1AYL221M□□063011		100	0.22	0.87	340	6.3x11.5	ECR1EYL101M□□063011
	470	0.13	0.52	640	8x11.5	ECR1AYL471M□□080011		220	0.13	0.52	640	8x11.5	ECR1EYL221M□□080011
	680	0.087	0.35	840	8x16	ECR1AYL681M□□080016		330	0.087	0.35	840	8x16	ECR1EYL331M□□080016
	680	0.080	0.32	865	10x12.5	ECR1AYL681M□□100012		330	0.080	0.32	865	10x12.5	ECR1EYL331M□□100012
	1000	0.069	0.27	1050	8x20	ECR1AYL102M□□080020		470	0.069	0.27	1050	8x20	ECR1EYL471M□□080020
	1000	0.060	0.24	1210	10x16	ECR1AYL102M□□100016		470	0.060	0.24	1210	10x16	ECR1EYL471M□□100016
	1200	0.046	0.18	1400	10x20	ECR1AYL122M□□100020		680	0.046	0.18	1400	10x20	ECR1EYL681M□□100020
	1500	0.042	0.17	1650	10x25	ECR1AYL152M□□100025		680	0.049	0.16	1450	12.5x16	ECR1EYL681M□□125016
	1500	0.049	0.16	1450	12.5x16	ECR1AYL152M□□125016		820	0.042	0.17	1650	10x25	ECR1EYL821M□□100025
	2200	0.031	0.12	1910	10x30	ECR1AYL222M□□100030		1000	0.031	0.12	1910	10x30	ECR1EYL102M□□100030
	2200	0.035	0.12	1900	12.5x20	ECR1AYL222M□□125020		1000	0.035	0.12	1900	12.5x20	ECR1EYL102M□□125020
	2700	0.042	0.12	1940	16x16	ECR1AYL222M□□160016		1200	0.042	0.12	1940	16x16	ECR1EYL102M□□160016
	2700	0.043	0.11	2210	18x16	ECR1AYL272M□□180016		1200	0.043	0.11	2210	18x16	ECR1EYL122M□□180016
	3300	0.027	0.089	2230	12.5x25	ECR1AYL332M□□125025		1500	0.027	0.089	2230	12.5x25	ECR1EYL152M□□125025
	3900	0.024	0.078	2650	12.5x30	ECR1AYL392M□□125030		1800	0.024	0.078	2650	12.5x30	ECR1EYL182M□□125030
	3900	0.027	0.078	2530	16x20	ECR1AYL392M□□160020		1800	0.027	0.078	2530	16x20	ECR1EYL182M□□160020
	4700	0.020	0.065	2880	12.5x35	ECR1AYL472M□□125035		2200	0.020	0.065	2880	12.5x35	ECR1EYL222M□□125035
	5600	0.017	0.056	3350	12.5x40	ECR1AYL562M□□125040		2200	0.026	0.067	2860	18x20	ECR1EYL222M□□180020
	5600	0.021	0.060	2930	16x25	ECR1AYL562M□□160025		2700	0.017	0.056	3350	12.5x40	ECR1EYL272M□□125040
5600	0.026	0.067	2860	18x20	ECR1AYL562M□□180020	2700	0.021	0.060	2930	16x25	ECR1EYL272M□□160025		
6800	0.017	0.050	3450	16x31.5	ECR1AYL682M□□160031	3300	0.017	0.050	3450	16x31.5	ECR1EYL332M□□160031		
6800	0.019	0.049	3140	18x25	ECR1AYL682M□□180025	3300	0.019	0.049	3140	18x25	ECR1EYL332M□□180025		
8200	0.015	0.044	3610	16x35.5	ECR1AYL822M□□160035	3900	0.015	0.044	3610	16x35.5	ECR1EYL392M□□160035		
8200	0.015	0.040	4170	18x31.5	ECR1AYL822M□□180031	3900	0.015	0.040	4170	18x31.5	ECR1EYL392M□□180031		
10000	0.013	0.038	4080	16x40	ECR1AYL103M□□160040	4700	0.013	0.038	4080	16x40	ECR1EYL472M□□160040		
10000	0.014	0.038	4220	18x35.5	ECR1AYL103M□□180035	4700	0.014	0.038	4220	18x35.5	ECR1EYL472M□□180035		
12000	0.012	0.032	4280	18x40	ECR1AYL123M□□180040	5600	0.012	0.032	4280	18x40	ECR1EYL562M□□180040		



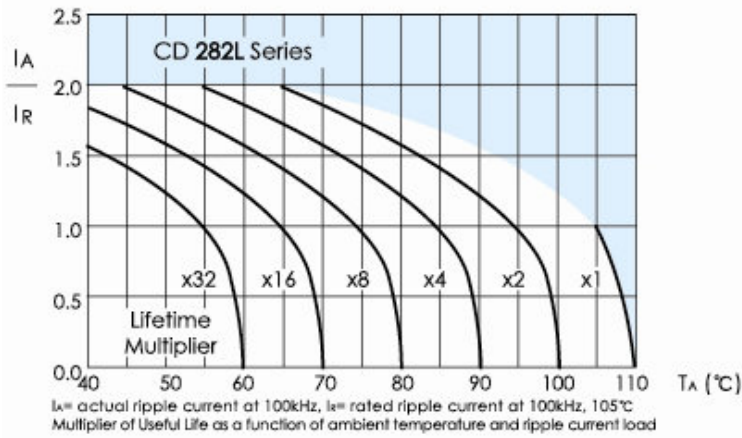
# CD282L YL SERIES

## Ratings for CD 282L YL Series

U <sub>R</sub> (Surge Voltage) Code	Rated Capacitance	Max Imp 20°C, 100KHz	Max Imp -10°C, 100KHz	Rated Ripple Current 105°C, 100KHz	Size ΦD x L	P/N	U <sub>R</sub> (Surge Voltage) Code	Rated Capacitance	Max Imp 20°C, 100KHz	Max Imp -10°C, 100KHz	Rated Ripple Current 105°C, 100KHz	Size ΦD x L	P/N
(v)	(μF)	(Ω)	(Ω)	(mAmps)	(mm)	-	(v)	(μF)	(Ω)	(Ω)	(mAmps)	(mm)	-
35 (44) 1V	33	0.58	2.3	210	5x11.5	ECR1VYL330M□□050011	63 (79) 1J	15	2.3	9.3	55	5x11.5	ECR1JYL150M□□050011
	56	0.22	0.87	340	6.3x11.5	ECR1VYL560M□□063011		33	1.2	5.0	115	6.3x11.5	ECR1JYL330M□□063011
	150	0.13	0.52	640	8x11.5	ECR1VYL151M□□080011		56	0.63	2.8	232	8x11.5	ECR1JYL560M□□080011
	220	0.087	0.35	840	8x16	ECR1VYL221M□□080016		82	0.45	2.1	300	8x16	ECR1JYL820M□□080016
		0.080	0.32	865	10x12.5	ECR1VYL221M□□100012			0.43	1.8	288	10x12.5	ECR1JYL820M□□100012
	270	0.069	0.27	1050	8x20	ECR1VYL271M□□080020		120	0.33	1.6	362	8x20	ECR1JYL121M□□080020
	330	0.060	0.24	1210	10x16	ECR1VYL331M□□100016			0.31	1.5	357	10x16	ECR1JYL121M□□100016
	470	0.046	0.18	1400	10x20	ECR1VYL471M□□100020		180	0.21	0.94	466	10x20	ECR1JYL181M□□100020
		0.049	0.16	1450	12.5x16	ECR1VYL471M□□125016			0.23	1.1	466	12.5x16	ECR1JYL181M□□125016
	560	0.042	0.17	1650	10x25	ECR1VYL561M□□100025		220	0.20	0.84	531	10x25	ECR1JYL221M□□100025
		680	0.031	0.12	1910	10x30			ECR1VYL681M□□100030	270	0.15	0.71	663
	0.035		0.12	1900	12.5x20	ECR1VYL681M□□125020		330	0.16		0.64	690	12.5x20
	0.042	0.12	1940	16x16	ECR1VYL681M□□160016	0.14			0.66	795	16x16	ECR1JYL271M□□160016	
	1000	0.027	0.089	2230	12.5x25	ECR1VYL102M□□125025		390	0.12	0.45	784	12.5x25	ECR1JYL391M□□125025
		0.043	0.11	2210	18x16	ECR1VYL102M□□180016			470	0.12	0.50	920	18x16
	1200	0.024	0.078	2650	12.5x30	ECR1VYL122M□□125030		560		0.10	0.42	905	12.5x30
		0.027	0.078	2530	16x20	ECR1VYL122M□□160020			0.091	0.38	1040	16x20	ECR1JYL471M□□160020
	1500	0.020	0.065	2880	12.5x35	ECR1VYL152M□□125035		680	0.083	0.35	1050	12.5x35	ECR1JYL561M□□125035
		0.017	0.056	3350	12.5x40	ECR1VYL182M□□125040			0.073	0.27	1250	16x25	ECR1JYL561M□□160025
	1800	0.021	0.060	2930	16x25	ECR1VYL182M□□160025		820	0.071	0.30	1180	12.5x40	ECR1JYL681M□□125040
0.026		0.067	2860	18x20	ECR1VYL182M□□180020	0.080	0.30		1240	18x20	ECR1JYL681M□□180020		
2200	0.017	0.050	3450	16x31.5	ECR1VYL222M□□160031	1000	0.054	0.20	1570	16x31.5	ECR1JYL821M□□160031		
	0.019	0.049	3140	18x25	ECR1VYL222M□□180025		0.057	0.21	1490	18x25	ECR1JYL821M□□180025		
2700	0.015	0.044	3610	16x35.5	ECR1VYL272M□□160035	1200	0.045	0.17	1790	16x35.5	ECR1JYL102M□□160035		
	0.015	0.040	4170	18x31.5	ECR1VYL272M□□180031		1500	0.047	0.17	1630	18x31.5	ECR1JYL102M□□180031	
3300	0.013	0.038	4080	16x40	ECR1VYL332M□□160040	2000		0.040	0.15	2020	16x40	ECR1JYL122M□□160040	
	0.014	0.038	4220	18x35.5	ECR1VYL332M□□180035		0.040	0.15	1790	18x35.5	ECR1JYL122M□□180035		
3900	0.012	0.032	4280	18x40	ECR1VYL392M□□180040	2330	0.036	0.13	2330	18x40	ECR1JYL152M□□180040		
50 (63) 1H	22	0.70	2.8	180	5x11.5	ECR1HYL220M□□050011	100 (125) 2A	6.8	2.3	9.3	55	5x11.5	ECR2AYL6R8M□□050011
	56	0.30	1.2	295	6.3x11.5	ECR1HYL560M□□063011		15	1.2	5.0	115	6.3x11.5	ECR2AYL150M□□063011
	100	0.17	0.68	555	8x11.5	ECR1HYL101M□□080011		27	0.63	2.8	232	8x11.5	ECR2AYL270M□□080011
	120	0.12	0.48	730	8x16	ECR1HYL121M□□080016		39	0.45	2.1	300	8x16	ECR2AYL390M□□080016
	150	0.12	0.48	760	10x12.5	ECR1HYL151M□□100012		47	0.43	1.8	288	10x12.5	ECR2AYL470M□□100012
	180	0.091	0.36	910	8x20	ECR1HYL181M□□080020		56	0.33	1.6	362	8x20	ECR2AYL560M□□080020
	220	0.084	0.34	1050	10x16	ECR1HYL221M□□100016		68	0.31	1.5	357	10x16	ECR2AYL680M□□100016
	270	0.060	0.24	1220	10x20	ECR1HYL271M□□100020		82	0.21	0.94	466	10x20	ECR2AYL820M□□100020
		0.061	0.20	1260	12.5x16	ECR1HYL271M□□125016			0.23	1.1	466	12.5x16	ECR2AYL820M□□125016
	330	0.055	0.22	1440	10x25	ECR1HYL331M□□100025		100	0.20	0.84	531	10x25	ECR2AYL101M□□100025
		0.043	0.17	1690	10x30	ECR1HYL471M□□100030			120	0.15	0.71	663	10x30
	470	0.045	0.15	1660	12.5x20	ECR1HYL471M□□125020		150		0.16	0.64	690	12.5x20
		0.055	0.17	1690	16x16	ECR1HYL471M□□160016			0.14	0.66	795	16x16	ECR2AYL151M□□160016
	560	0.034	0.11	1950	12.5x25	ECR1HYL561M□□125025		180	0.12	0.45	784	12.5x25	ECR2AYL181M□□125025
		0.054	0.15	1930	18x16	ECR1HYL681M□□125030			0.12	0.50	920	18x16	ECR2AYL181M□□180016
	680	0.030	0.10	2310	12.5x30	ECR1HYL821M□□125035		220	0.10	0.42	905	12.5x30	ECR2AYL221M□□125030
		0.025	0.083	2510	12.5x35	ECR1HYL821M□□160020			0.091	0.38	1040	16x20	ECR2AYL221M□□160020
	820	0.034	0.10	2210	16x20	ECR1HYL102M□□125040		270	0.083	0.35	1050	12.5x35	ECR2AYL271M□□125035
		0.021	0.069	2920	12.5x40	ECR1HYL102M□□160025			0.073	0.27	1250	16x25	ECR2AYL271M□□160025
	1000	0.025	0.075	2555	16x25	ECR1HYL102M□□180020		330	0.071	0.30	1180	12.5x40	ECR2AYL331M□□125040
0.036		0.097	2490	18x20	ECR1HYL122M□□160031	0.080	0.30		1240	18x20	ECR2AYL331M□□180020		
1200	0.022	0.066	3010	16x31.5	ECR1HYL122M□□180025	390	0.054	0.20	1570	16x31.5	ECR2AYL391M□□160031		
	0.026	0.070	2740	18x25	ECR1HYL152M□□160035		0.057	0.21	1490	18x25	ECR2AYL391M□□180025		
1500	0.019	0.057	3150	16x35.5	ECR1HYL182M□□160040	470	0.045	0.17	1790	16x35.5	ECR2AYL471M□□160035		
	0.016	0.048	3710	16x40	ECR1HYL182M□□160040		0.047	0.17	1630	18x31.5	ECR2AYL471M□□180031		
1800	0.021	0.057	3635	18x31.5	ECR1HYL182M□□180031	560	0.040	0.15	2020	16x40	ECR2AYL561M□□160040		
	0.017	0.046	3680	18x35.5	ECR1HYL222M□□180035		680	0.040	0.15	1790	18x35.5	ECR2AYL681M□□180035	
2200	0.017	0.046	3680	18x35.5	ECR1HYL222M□□180035	2330	0.036	0.13	2330	18x40	ECR2AYL821M□□180040		
2700	0.014	0.038	3800	18x40	ECR1VYL272M□□180040								

Customer products are available on request.

## Lifetime Diagram



## Typical Curves

