

CD 283 DZ Series



2000h at 105°C

- Ultra lower ESR VRM
- Excellent ripple current by reduction of ESR at high frequency range

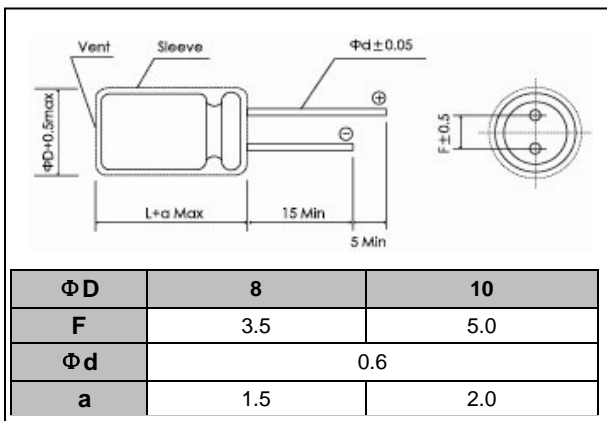


Items	Characteristics			
Operating Temperature Range(°C)	-25~ +105			
Voltage Range (V)	6.3~ 16			
Capacitance Range(μF)	470 ~ 3300			
Capacitance Tolerance (20°C,120Hz)	±20%			
Leakage Current (μA)	After 2 minutes at 20°C application of rated voltage, leakage current is not more than 0.02CV or 3, whichever is greater C:Nominal Capacitance(μF) V:Rated Voltage(V)			
Dissipation Factor (20°C, 120Hz)	WV(V)	6.3	10	16
	Tan δ(max)	0.22	0.19	0.16
For Capacitances>1000μF add 0.02 to every 1000μF				
Stability at Low Temperature (Impedance Ratio at 120Hz)	Rated Voltage(V)	6.3	10	16
	Impedance Ratio	Z _{-25°C/+20°C}	2	
		Z _{-40°C/+20°C}	3	

	Useful Life		Load Life	Endurance Test	Shelf Life
Lifetime	4000h	≥180000h	2000h	3000h	500h
Leakage Current	Not more than specified value		Not more than specified value	Not more than specified value	Not more than specified value
Capacitance Change	Within ±50% of initial value		Within ±25% of initial value	Within ±25% of initial value	Within ±20% of initial value
Dissipation Factor	Not more than 300% of specified value		Not more than 200% of specified value	Not more than 200% of specified value	Not more than 200% of specified value
Condition: Applied Voltage Applied Current Applied Temperature	U _R I _R 105°C	U _R 1.4 x I _R 40°C	U _R I _R 105°C	U _R I _R = 0 105°C	After test: U _R to be applied for 30min>24h before measurement

Dimensions

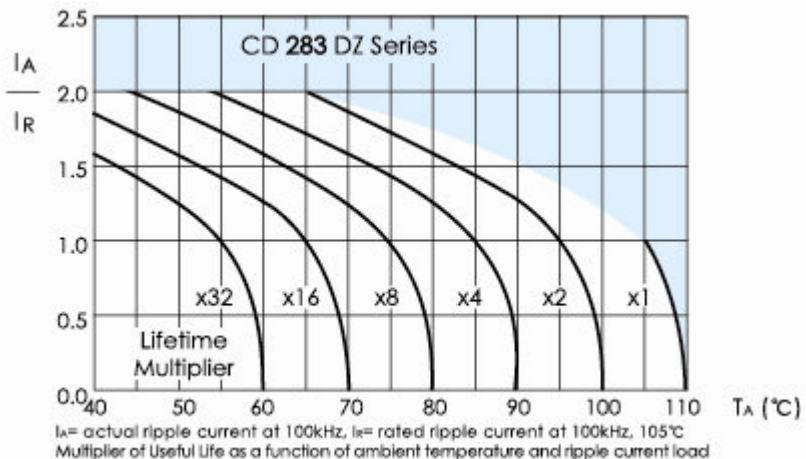
mm



Frequency Coefficient

Frequency	120Hz	1kHz	10kHz	100kHz
Coefficient	0.50	0.80	0.90	1.00

Lifetime Diagram



Temperature Coefficient

Temperature(°C)	+65	+85	+105
Coefficient	2.0	1.7	1.0

Ratings for CD 283 DZ Series

U _R (Surge Voltage) Code	Rated Capacitance	Dissipation Factor	Max ESR 20°C, 120Hz	Max ESR 20°C, 100kHz	Rated Ripple Current 105°C, 100kHz	Size ΦD×L	P/N
(V)	(μF)	-	(Ω)	(Ω)	(mA _{rms})	(mm)	-
6.3 (7.2) 0J	820	0.22	0.356	0.036	1140	8x11.5	ECR0JDZ821M□□080011
	1200	0.22	0.243	0.028	1490	8x16	ECR0JDZ122M□□080016
	1500	0.22	0.195	0.026	1870	10x12.5	ECR0JDZ152M□□100012
	1800	0.22	0.162	0.019	1540	8x20	ECR0JDZ182M□□080020
			0.162	0.019	2000	10x16	ECR0JDZ182M□□100016
	2200	0.24	0.133	0.013	2550	10x20	ECR0JDZ222M□□100020
	3300	0.26	0.088	0.012	2800	10x25	ECR0JDZ332M□□100025
10 (13) 1A	680	0.19	0.371	0.036	1140	8X11.5	ECR1ADZ681M□□080011
	1000	0.19	0.252	0.028	1490	8x16	ECR1ADZ102M□□080016
			0.252	0.026	1540	10x12.5	ECR1ADZ102M□□100012
	1500	0.19	0.168	0.019	1870	8x20	ECR1ADZ152M□□080020
			0.168	0.019	2000	10X16	ECR1ADZ152M□□100016
	1800	0.19	0.140	0.013	2550	10x20	ECR1ADZ182M□□100020
	2200	0.21	0.115	0.012	2800	10x25	ECR1ADZ222M□□100025
16 (20) 1C	470	0.16	0.452	0.036	1140	8x11.5	ECR1CDZ471M□□080011
	680	0.16	0.312	0.028	1490	8x16	ECR1CDZ681M□□080016
			0.312	0.026	1540	10x12.5	ECR1CDZ681M□□100012
	1000	0.16	0.212	0.019	1870	8x20	ECR1CDZ102M□□080020
			0.212	0.019	2000	10x16	ECR1CDZ102M□□100016
	1500	0.16	0.142	0.013	2550	10x20	ECR1CDZ152M□□100020
	1800	0.16	0.118	0.012	2800	10x25	ECR1CDZ182M□□100025

Customer products are available on request.

Typical Curves

