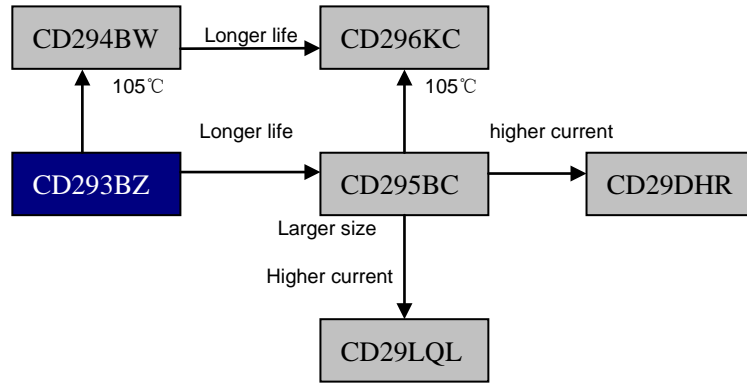


CD 293 BZ Series



2000h at 85°C

■ Standard 85°C



Items	Characteristics																																								
Operating Temperature Range(°C)	-40 ~ +85	-25~+85																																							
Voltage Range (V)	10 ~ 400	450~500																																							
Capacitance Range(μF)	68~82000																																								
Capacitance Tolerance (20°C,120Hz)	±20%																																								
Leakage Current (μA)	After 5 minutes at 20°C application of rated voltage, leakage current is not more than 0.01CV or 1.5mA, whichever is smaller. C:Nominal Capacitance(μF) V:Rated Voltage(V)																																								
Dissipation Factor (20°C, 120Hz)	<table border="1"> <thead> <tr> <th>Rated Voltage(V)Cap (μF)</th> <th>10~16</th> <th>25</th> <th>35~50</th> <th>63</th> <th>80~100</th> </tr> </thead> <tbody> <tr> <td>≤2700</td> <td>-</td> <td>-</td> <td>0.20</td> <td>0.15</td> <td>0.15</td> </tr> <tr> <td>3300~4700</td> <td>-</td> <td>0.35</td> <td>0.25</td> <td>0.20</td> <td>0.15</td> </tr> <tr> <td>5600~6800</td> <td>0.40</td> <td>0.35</td> <td>0.30</td> <td>0.20</td> <td>0.20</td> </tr> <tr> <td>≥8200</td> <td>0.40</td> <td>0.35</td> <td>0.35</td> <td>0.25</td> <td>-</td> </tr> </tbody> </table>	Rated Voltage(V)Cap (μF)	10~16	25	35~50	63	80~100	≤2700	-	-	0.20	0.15	0.15	3300~4700	-	0.35	0.25	0.20	0.15	5600~6800	0.40	0.35	0.30	0.20	0.20	≥8200	0.40	0.35	0.35	0.25	-	<table border="1"> <thead> <tr> <th>Rated Voltage(V) φ (mm)</th> <th>160~200</th> <th>250~500</th> </tr> </thead> <tbody> <tr> <td>22~30</td> <td>0.10</td> <td>0.15</td> </tr> <tr> <td>35</td> <td>0.12</td> <td>0.15</td> </tr> </tbody> </table>	Rated Voltage(V) φ (mm)	160~200	250~500	22~30	0.10	0.15	35	0.12	0.15
Rated Voltage(V)Cap (μF)	10~16	25	35~50	63	80~100																																				
≤2700	-	-	0.20	0.15	0.15																																				
3300~4700	-	0.35	0.25	0.20	0.15																																				
5600~6800	0.40	0.35	0.30	0.20	0.20																																				
≥8200	0.40	0.35	0.35	0.25	-																																				
Rated Voltage(V) φ (mm)	160~200	250~500																																							
22~30	0.10	0.15																																							
35	0.12	0.15																																							
Stability at Low Temperature (Impedance Ratio at 120Hz)	<table border="1"> <thead> <tr> <th>Rated Voltage(v)</th> <th>10</th> <th>10~35</th> <th>50~100</th> <th>160~200</th> <th>250~400</th> <th>450~500</th> </tr> </thead> <tbody> <tr> <td>Z_{-25°C}/Z_{+20°C}</td> <td>5</td> <td>4</td> <td></td> <td>3</td> <td></td> <td>4</td> </tr> <tr> <td>Z_{-40°C}/Z_{+20°C}</td> <td>18</td> <td>15</td> <td>10</td> <td>6</td> <td>8</td> <td>-</td> </tr> </tbody> </table>		Rated Voltage(v)	10	10~35	50~100	160~200	250~400	450~500	Z _{-25°C} /Z _{+20°C}	5	4		3		4	Z _{-40°C} /Z _{+20°C}	18	15	10	6	8	-																		
Rated Voltage(v)	10	10~35	50~100	160~200	250~400	450~500																																			
Z _{-25°C} /Z _{+20°C}	5	4		3		4																																			
Z _{-40°C} /Z _{+20°C}	18	15	10	6	8	-																																			

	Useful Life		Load Life	Endurance Test	Shelf Life
Life Time	4000h	>65000h	2000h	3000h	1000h
Leakage Current	Not more than specified value		Not more than specified value	Not more than specified value	Not more than specified value
Capacitance Change	Within ±30% of initial value		Within ±15% of initial value	Within ±20% of initial value	Within ±15% of initial value
Dissipation Factor	Not more than 300% of specified value		Not more than 150% of specified value	Not more than 200% of specified value	Not more than 150% of specified value
Condition:					After test: U _R to be applied for 30min>24h before measurement
Applied Voltage	U _R	U _R	U _R	U _R	
Applied Current	I _R	1.2×I _R	I _R	I _R =0	
Applied Temperature	85°C	40°C	85°C	85°C	

CD 293 BZ Series



Frequency coefficient

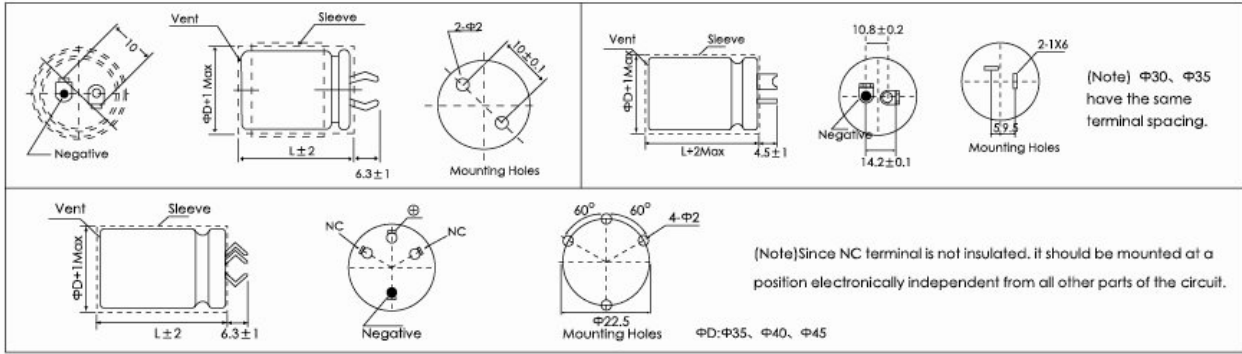
Frequency Voltage(v)	50/60Hz	120Hz	300Hz	1kHz	10kHz	50kHz
≤50	0.88	1.00	1.07	1.15	1.15	1.15
63~100	0.80	1.00	1.17	1.32	1.45	1.50
≥160	0.80	1.00	1.16	1.30	1.41	1.43

Temperature Coefficient

Temperature(°C)	+40	+55	+70	+85
<160	2.1	1.8	1.5	1.0
≥160	1.7	1.5	1.3	1.0

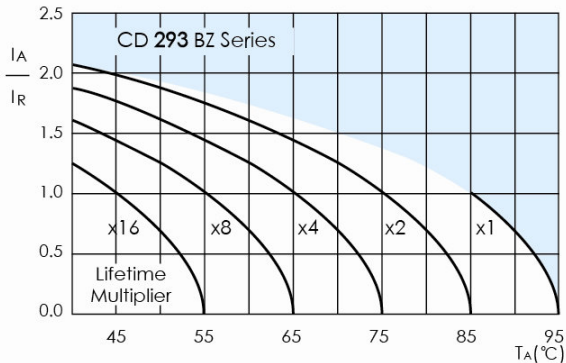
Dimensions

mm



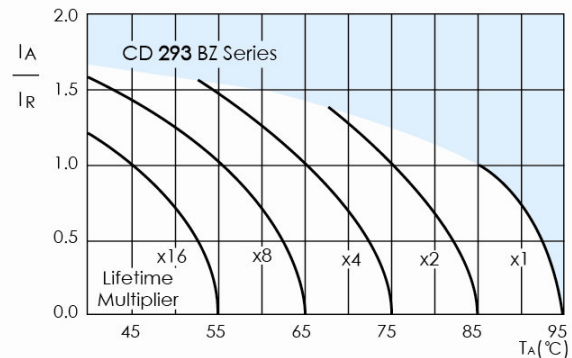
Lifetime Diagram

Lifetime Diagram $U_r < 160V$



I_A = actual ripple current at 120Hz, I_R = rated ripple current at 120Hz, 85°C
Multiplier of Useful Life as a function of ambient temperature and ripple current load

Lifetime Diagram $U_r \geq 160V$



I_A = actual ripple current at 120Hz, I_R = rated ripple current at 120Hz, 85°C
Multiplier of Useful Life as a function of ambient temperature and ripple current load

Ratings for CD293 BZ Series

U_R (Surge Voltage) Code	Rated Capacitance	Max ESR 20°C, 120Hz	Typ ESR 20°C, 120Hz	Rated Ripple Current 105°C, 100kHz	Size $\phi D \times L$	P/N
(v)	(μF)	(m Ω)	(m Ω)	(Arms)	(mm)	-
10 (13) 1A	10000	54	43	2.5	22X25	ECS1ABZ103M□□220025
	12000	45	36	2.9	22X25	ECS1ABZ123M□□220025
	15000	36	29	3.2	22X30	ECS1ABZ 153M□□220030
		36	29	3.1	25X25	ECS1ABZ 153M□□250025
	18000	30	24	3.6	22X35	ECS1ABZ183M□□220035
		30	24	3.6	25X30	ECS1ABZ183M□□250030
	22000	25	20	4	22X40	ECS1ABZ223M□□220040
		25	20	4.1	25X35	ECS 1ABZ223M□□250035
		25	20	4.1	30X25	ECS 1ABZ223M□□300025
	33000	17	13	4.6	25X40	ECS1ABZ333M□□250040
17		13	4.8	30X30	ECS1ABZ333M□□300030	
39000	14	10.9	5.2	25X45	ECS1ABZ393M□□250045	
	14	10.9	5.3	30X35	ECS 1ABZ393M□□300035	
47000	12	9.1	5.8	25X50	ECS 1ABZ473M□□250050	

U_R (Surge Voltage) Code	Rated Capacitance	Max ESR 20°C, 120Hz	Typ ESR 20°C, 120Hz	Rated Ripple Current 105°C, 100kHz	Size $\phi D \times L$	P/N
(v)	(μF)	(m Ω)	(m Ω)	(Arms)	(mm)	-
50 (63) 1H	470 0	71	57	2.4	22X40	ECS1HBZ472M□□220040
		71	57	2.4	25X35	ECS1HBZ472M□□250035
	560 0	72	57	2.5	22X50	ECS1HBZ562M□□220050
		72	57	2.5	25X40	ECS1HBZ562M□□250040
		72	57	2.5	30X30	ECS1HBZ562M□□300030
	680 0	72	57	2.6	35X25	ECS1HBZ562M□□350025
		59	47	2.8	25X45	ECS1HBZ682M□□250045
		59	47	2.8	30X35	ECS1HBZ682M□□300035
	820 0	57	46	3.2	25X50	ECS1HBZ822M□□250050
		57	46	3	30X40	ECS1HBZ822M□□300040
		57	46	Si	35X30	ECS1HBZ822M□□350030
	100 00	47	38	3.4	30X45	ECS1HBZ 103M□□300045
		47	38	3.4	35X35	ECS1HBZ 103M□□350035
	120 00	39	31	3.8	30X50	ECS1HBZ 123M□□300050
39		31	3.8	35X40	ECS1HBZ 123M□□350040	

CD 293 BZ Series



16 (20) 1C	56000	12	9.1	6	30X40	ECS1ABZ473M□□300040	63 (79) 1J	150	31	25	4.5	35X50	ECS1HBZ 153M□□350050	
		12	9.1	6	35X30	ECS 1ABZ473M□□350030		150	135	107	1.6	22X25	ECS 1JBZ152M□□220025	
		9.5	7.6	6.7	30X45	ECS1ABZ563M□□300045		180	110	89	1.8	22X30	ECS 1JBZ182M□□220030	
		9.5	7.6	6.8	35X35	ECS 1ABZ563M□□350035		220	91	73	2	22X30	ECS 1JBZ222M□□220030	
	68000	7.9	6.3	7.5	30X50	ECS 1ABZ683M□□300050		0	91	73	2	25X25	ECS 1JBZ222M□□250025	
		7.9	6.3	7.7	35X40	ECS1ABZ683M□□350040		270	74	59	2.2	22X35	ECS 1JBZ272M□□220035	
	82000	6.5	5.2	8.7	35X45	ECS 1ABZ823M□□350045		0	74	59	2.3	25X30	ECS 1JBZ272M□□250030	
	25 (32) 1E	8200	65	52	2.2	22X25		ECS 1CBZ822M□□220025	330	81	65	2.3	22X40	ECS 1JBZ332M□□220040
		10000	54	43	2.6	22X30		ECS 1CBZ103M□□220030	0	81	65	2.3	25X35	ECS 1JBZ332M□□250035
			54	43	2.6	25X25		ECS 1CBZ103M□□250025	390	81	65	2.3	30X25	ECS 1JBZ332M□□300025
12000		45	36	2.9	22X35	ECS1CBZ123M□□220035	0	69	55	2.5	22X45	ECS 1JBZ392M□□220045		
15000		36	29	3.3	22X40	ECS 1CBZ153M□□220040	390	69	55	2.6	25X40	ECS 1JBZ392M□□250040		
		36	29	3.3	25X30	ECS 1CBZ153M□□250030	0	69	55	2.6	30X30	ECS 1JBZ392M□□300030		
		36	29	3.4	30X25	ECS 1CBZ153M□□300025	560	69	55	2.7	35X25	ECS 1JBZ392M□□350025		
18000		30	24	3.8	22X45	ECS 1CBZ183M□□220045	0	48	38	3.1	25X45	ECS 1JBZ562M□□250045		
		30	24	3.7	25X35	ECS1CBZ 183M□□250035	680	48	38	3.2	30X35	ECS 1JBZ562M□□300035		
22000		25	20	4.2	22X50	ECS 1CBZ223M□□220050	0	48	38	3.3	35X30	ECS 1JBZ562M□□350030		
	25	20	4.2	25X40	ECS 1CBZ223M□□250040	820	40	32	3.6	30X40	ECS 1JBZ682M□□300040			
	25	20	4.2	30X30	ECS 1CBZ223M□□300030	0	40	32	3.7	35X35	ECS 1JBZ682M□□350035			
	25	20	4.4	35X25	ECS 1CBZ223M□□350025	100	41	33	3.7	30X50	ECS 1JBZ822M□□300050			
27000	20	16	5	25X45	ECS 1CBZ273M□□250045	0	41	33	3.8	35X40	ECS 1JBZ822M□□350040			
	20	16	5	30X35	ECS 1CBZ273M□□300035	120	34	27	4.3	35X45	ECS1JBZ103M□□350045			
33000	17	13	5.6	30X40	ECS 1CBZ333M□□300040	120	28	23	4.8	35X50	ECS1JBZ123M□□350050			
	17	13	5.6	35X30	ECS 1CBZ333M□□350030	100	200	160	1.3	22X25	ECS1KBZ102M□□220025			
39000	14	11	6.2	30X45	ECS 1CBZ393M□□300045	120	165	133	1.5	22X30	ECS1KBZ122M□□220030			
	14	11	6.3	35X35	ECS 1CBZ393M□□350035	150	133	107	1.7	25X25	ECS1KBZ152M□□250025			
47000	12	9.1	7	30X50	ECS 1CBZ473M□□300050	180	111	89	1.9	22X35	ECS1KBZ182M□□220035			
	12	9.1	7.2	35X40	ECS 1CBZ473M□□350040	0	111	89	1.9	25X30	ECS1KBZ182M□□250030			
56000	9.5	7.6	8	35X45	ECS 1CBZ563M□□350045	220	91	73	2.1	22X40	ECS1KBZ222M□□220040			
25 (32) 1E	5600	83	67	2	22X25	ECS 1EBZ562M□□220025	0	91	73	2.2	25X35	ECS1KBZ222M□□250035		
	6800	69	55	2.3	22X30	ECS 1EBZ682M□□220030	270	91	73	2.2	30X25	ECS1KBZ222M□□300025		
		69	55	2.3	25X25	ECS 1EBZ682M□□250025	0	74	59	2.5	22X50	ECS 1KBZ272M□□220050		
	8200	57	46	2.6	22X35	ECS 1EBZ822M□□220035	270	74	59	2.5	25X40	ECS1KBZ272M□□250040		
	10000	47	38	2.9	22X40	ECS1EBZ103M□□220040	0	74	59	2.5	30X30	ECS1KBZ272M□□300030		
		47	38	2.8	25X30	ECS1EBZ103M□□250030	330	74	59	2.5	35X25	ECS1KBZ272M□□350025		
		47	38	3	30X25	ECS1EBZ103M□□300025	0	61	49	2.8	25X45	ECS1KBZ332M□□250045		
	12000	39	31	3.3	22X45	ECS1EBZ123M□□220045	330	61	49	2.8	30X35	ECS1KBZ332M□□300035		
		39	31	3.2	25X35	ECS1EBZ123M □□250035	390	52	41	3.1	25X50	ECS1KBZ392M□□250050		
		39	31	3.4	30X30	ECS1EBZ123M□□300030	0	52	41	3.2	30X40	ECS1KBZ392M□□300040		
15000	31	25	3.7	25X40	ECS1EBZ153M□□250040	0	52	41	3.2	35X30	ECS1KBZ392M□□350030			
	31	25	3.9	35X25	ECS1EBZ153M□□350025	470	43	34	3.6	30X45	ECS1KBZ472M□□300045			
18000	26	21	4.3	25X50	ECS1EBZ183M□□250050	0	43	34	3.6	35X35	ECS1KBZ472M□□350035			
	26	21	4.2	30X35	ECS1EBZ183M□□300035	560	48	38	4.1	30X50	ECS1KBZ562M□□300050			
	26	21	4.4	35X30	ECS1EBZ183M□□350030	0	48	38	4.1	35X40	ECS1KBZ562M□□350040			
22000	22	17	4.8	30X40	ECS 1EBZ223M□□300040	680	40	32	4.1	35X50	ECS1KBZ682M□□350050			
	22	17	5	35X35	ECS 1EBZ223M□□350035	680	293	235	1.1	22X25	ECS2ABZ681M□□220025			
33000	15	12	6.5	35X40	ECS 1EBZ333M□□350040	820	243	195	1.2	22X30	ECS2ABZ821M□□220030			
39000	12	10	7.5	35X45	ECS 1EBZ393M□□350045	100	200	160	1.4	25X25	ECS2ABZ102M□□250025			
35 (44) IV	3300	100	81	1.8	22X25	ECS 1VBZ332M□□220025	120	166	133	1.6	22X35	ECS2ABZ122M□□220035		
	3900	86	69	2.1	22X30	ECS 1VBZ392M□□220030	0	166	133	1.6	25X30	ECS2ABZ122M□□250030		
	4700	71	57	2.2	25X25	ECS 1VBZ472M□□250025	150	133	107	1.8	22X40	ECS2ABZ152M□□220040		
	5600	72	57	2.3	22X35	ECS 1VBZ562M□□220035	0	133	107	1.7	25X35	ECS2ABZ152M□□250035		
		72	57	2.3	25X30	ECS 1VBZ562M□□250030	180	133	107	1.8	30X25	ECS2ABZ152M□□300025		
	6800	59	47	2.9	22X40	ECS 1VBZ682M□□220040	0	111	89	2.1	22X50	ECS2ABZ182M□□220050		
		59	47	2.6	25X35	ECS 1VBZ682M□□250035	180	111	89	2	25X40	ECS2ABZ182M□□250040		
		59	47	2.7	30X25	ECS 1VBZ682M□□300025	0	111	89	2.1	30X30	ECS2ABZ182M□□300030		
	8200	57	46	2.8	22X50	ECS 1VBZ822M□□220050	220	111	89	2.2	35X25	ECS2ABZ182M□□350025		
		57	46	2.8	25X40	ECS 1VBZ822M□□250040	0	91	73	2.2	25X45	ECS2ABZ222M□□250045		
57		46	2.8	30X30	ECS 1VBZ822M□□300030	270	91	73	2.3	30X35	ECS2ABZ222M□□300035			
10000	57	46	2.9	35X25	ECS 1VBZ822M□□350025	0	91	73	2.5	35X30	ECS2ABZ222M□□350030			
	47	38	3.1	25X45	ECS 1VBZ103M□□250045	270	74	59	2.6	25X50	ECS2ABZ272M□□250050			
	47	38	3.2	30X35	ECS 1VBZ103M□□300035	0	74	59	2.7	30X40	ECS2ABZ272M□□300040			

CD 293 BZ Series



12000	39	31	3.5	25X50	ECS1VBZ 123M□□250050	
	39	31	3.5	30X40	ECS1VBZ 123M□□300040	
	39	31	3.6	35X30	ECS1VBZ 123M□□350030	
	15000	31	25	4.1	30X45	ECS1VBZ 153M□□300045
		31	25	4.1	35X35	ECS1VBZ 153M□□350035
	18000	26	21	4.6	30X50	ECS1VBZ 183M□□300050
		26	21	4.7	35X40	ECS1VBZ 183M□□350040
	22000	22	17	5.3	35X45	ECS 1VBZ223M□□350045
	27000	18	14	7	35X50	ECS 1VBZ273M□□350050
	50 (63) 1H	2200	120	97	1.7	22X25
100			79	1.9	22X30	ECS 1HBZ272M□□220030
2700		100	79	1.9	25X25	ECS1HBZ272M□□250025
		100	81	2	22X35	ECS1HBZ332M□□220035
3300		86	69	2.1	22X35	ECS1HBZ392M□□220035
		86	69	2.1	25X30	ECS1HBZ392M□□250030
		86	69	2.4	30X25	ECS1HBZ392M□□300025

330	61	49	3	30X45	ECS2ABZ332M□□300045	
	61	49	3.1	35X35	ECS2ABZ332M□□350035	
	390	52	41	3.4	30X50	ECS2ABZ392M□□300050
52		41	3.4	35X40	ECS2ABZ392M□□350040	
470	43	34	4	35X50	ECS2ABZ472M□□350050	
160 (200) 2C	220	600	483	1.1	22X25	ECS2CBZ221M□□220025
		490	393	1.2	22X25	ECS2CBZ271M□□220025
		400	322	1.3	22X25	ECS2CBZ331M□□220025
	390	341	273	1.5	22X30	ECS2CBZ391M□□220030
		341	273	1.5	25X25	ECS2CBZ391M□□250025
	470	283	226	1.6	25X30	ECS2CBZ471M□□250030
		560	237	190	1.9	22X35
	237		190	1.9	25X30	ECS2CBZ561M□□250030
	237		190	2	30X25	ECS2CBZ561M□□300025

Ratings for CD293 BZ Series

U _R (Surge Voltage) C ^o de	Rated Capacitance	Max ESR 20°C, 120Hz	Typ ESR 20°C, 120Hz	Rated Ripple Current 105°C, 100kHz	Size ΦDxL	P/N
(v)	(μF)	(mΩ)	(mΩ)	(Arms)	(mm)	-
160 (200) 2C	680	196	157	2.1	22X40	ECS2CBZ681M□□220040
		196	157	2.2	25X35	ECS2CBZ681M□□250035
	820	162	130	2.5	22X50	ECS2CBZ821M□□220050
		162	130	2.4	25X40	ECS2CBZ821 M□□250040
		162	130	2.5	30X30	ECS2CBZ821M□□300030
		195	156	2.4	35X25	ECS2CBZ821 M□□350025
	1000	133	107	2.7	25X45	ECS2CBZ102M□□250045
		133	107	2.8	30X35	ECS2CBZ102M□□300035
		160	128	2.7	35X30	ECS2CBZ102M□□350030
	1200	111	89	3.1	25X50	ECS2CBZ122M□□250050
		111	89	3.2	30X40	ECS2CBZ122M□□300040
		133	107	3.0	35X35	ECS2CBZ122M□□350035
	1500	89	71	3.7	30X45	ECS2CBZ152M□□300045
		107	85	3.5	35X40	ECS2CBZ152M□□350040
	1800	89	71	3.9	35X45	ECS2CBZ182M□□350045
	2200	73	58	4.5	35X50	ECS2CBZ222M□□350050
180 (225) 2K	270	495	393	1.2	22X25	ECS2KBZ271M□□220025
		400	322	1.4	22X30	ECS2KBZ331M□□220030
	390	340	273	1.5	25X25	ECS2KBZ391M□□250025
		283	226	1.7	22X35	ECS2KBZ471M□□220035
	470	283	226	1.7	25X30	ECS2KBZ471M□□250030
		283	226	1.8	30X25	ECS2KBZ471M□□300025
	560	237	190	1.9	22X40	ECS2KBZ561M□□220040
		237	190	2.0	25X35	ECS2KBZ561M□□250035
	680	196	157	2.3	22X50	ECS2KBZ681M□□220050
		196	157	2.2	25X40	ECS2KBZ681M□□250040
		196	157	2.3	30X30	ECS2KBZ681M□□300030
		235	188	2.2	35X25	ECS2KBZ681M□□350025
	820	162	130	2.5	25X45	ECS2KBZ821M□□250045
		162	130	2.6	30X35	ECS2KBZ821M□□300035
		195	156	2.5	35X30	ECS2KBZ821M□□350030
	1000	133	107	2.9	25X50	ECS2KBZ102M□□250050
		133	107	2.9	30X40	ECS2KBZ102M□□300040
	1200	111	89	3.3	30X45	ECS2KBZ122M□□300045
		133	107	3.1	35X35	ECS2KBZ122M□□350035
	1500	107	85	3.6	35X45	ECS2KBZ152M□□350045
1800	89	71	4.1	35X50	ECS2KBZ182M□□350050	
200	220	600	483	1.1	22X25	ECS2DBZ221M□□220025

U _R (Surge Voltage) Code	Rated Capacitance	Max ESR 20°C, 120Hz	Typ ESR 20°C, 120Hz	Rated Ripple Current 105°C, 100KHz	Size ΦDxL	P/N
(v)	(μF)	(mΩ)	(mΩ)	(Arms)	(mm)	-
315 (365) 2F	330	603	483	1.4	25x45	ECS2FBZ331M□□250045
		603	483	1.4	30X35	ECS2FBZ331M□□300035
	390	511	409	1.6	25x50	ECS2FBZ391M□□250050
		511	4uv	1.6	30X40	ECS2FBZ391M□□300040
		511	409	1.6	35x30	ECS2FBZ391M□□350030
		424	339	1.8	30x45	ECS2FBZ471M□□300045
	470	424	339	1.8	35x35	ECS2FBZ471M□□330035
		560	356	285	2.0	30X50
	356		285	2.0	35x40	KCS2FBZ561M□□350040
	680	293	235	2.3	35x45	ECS2FBZ681M□□350045
350 (400) 2V	82	2427	1941	0.64	22x25	ECS2VBZ820M□□220025
		1990	1592	0.80	22x25	ECS2VBZ101M□□220025
	120	1658	1327	0.82	22X30	ECS2VBZ121M□□220030
		1658	1327	0.81	25x25	ECS2VBZ121M□□250025
	150	1327	1062	0.94	22X35	ECS2VBZ151M□□220035
		1327	1062	0.94	25x30	ECS2VBZ151M□□250030
	180	1106	885	1.1	22X40	ECS2VBZ181M□□220040
		1106	885	1.1	30x25	KCS2VBZ181M□□300025
	220	905	724	1.2	22X45	ECS2VBZ221M□□220045
		90S	724	1.2	25x35	ECS2VBZ221M□□250035
		905	724	1.2	30X30	ECS2VBZ221M□□300030
		905	724	1.3	35x25	ECS2VBZ221M□□350025
	270	737	590	L4	25x45	ECS2VBZ271M□□250045
		737	590	1.4	30x35	ECS2VBZ271M□□300035
	330	603	483	1.6	25x50	ECS2VBZ331M□□250050
		603	483	1.6	35x30	ECS2VBZ331M□□350030
390	511	409	1.7	30x40	ECS2VBZ391M□□300040	
	511	409	1.8	35X35	ECS2VBZ391M□□350035	
470	424	339	2.0	30x45	ECS2VBZ471M□□300045	
	424	339	2.0	35x40	ECS2VBZ471M□□350040	
560	356	285	2.3	35x45	ECS2VBZ561M□□350045	
680	293	535	2.6	35X50	ECS2VBZ681M□□350050	
820	243	195	2.8	35x60	ECS2VBZ821M□□350060	
400 (450) 2G	68	2926	2341	0.55	22X25	ECS2GBZ680M□□220025
	82	2427	1941	0.65	22X25	ECS2GBZ820M□□220025
		1990	1592	0.70	22x30	ECS2GBZ101M□□220030
	100	1990	0592	070	25x25	ECS2GBZ101M□□250025
120		1658	1327	0.79	22x35	ECS2GBZ121M□□220035

CD 293 BZ Series



(250) 2D	270	492	393	1.2	22X30	ECS2DBZ271M□□220030	450 (500) 2W	150	1327	1062	0.90	22x40	ECS2GBZ151M□□220040
	330	402	322	1.4	22X30	ECS2DBZ331M□□220030		150	1327	1062	0.89	25x30	ECS2GBZ151M□□250030
		402	322	1.4	25X25	ECS2DBZ331M□□250025		150	1327	1062	0.95	30x25	tC52GBZ151M□□300025
	390	341	273	1.6	22X35	ECS2DBZ391M□□220035		180	1106	885	1.0	22x45	ECS2GBZ181M□□220045
		341	273	1.6	25X30	ECS2DBZ391M□□250030			1106	885	1.0	25X35	ECS2GBZ181M□□250035
	470	283	226	1.8	22X40	ECS2DBZ471M□□220040			1106	885	1.1	30x30	ECS2GBZ181M□□300030
		283	226	1.9	30X25	ECS2DBZ471M□□300025			1106	885	1.2	35x25	ECS2GBZ181M□□350025
	560	237	190	2.0	22X45	ECS2DBZ561M□□220045		220	905	724	1.1	22x50	ECS2GBZ221M□□220050
		237	190	2.0	25X35	ECS2DBZ561M□□250035			905	724	1.2	25x40	ECS2GBZ221M□□250040
		237	190	2.1	30X30	ECS2DBZ561M□□300030			905	724	1.2	30x35	FCS2GBZ221M□□300035
		285	228	2.0	35X25	ECS2DBZ561M□□350025		270	737	590	1.3	25x45	ECS2GBZ271M□□250045
	680	196	157	2.3	25X40	ECS2DBZ681M□□250040			737	590	1.4	25X50	ECS2GBZ271M□□250050
		196	157	2.4	30X35	ECS2DBZ681M□□300035			737	590	1.5	30x40	ECS2GBZ271M□□300040
	820	162	130	2.6	25X50	ECS2DBZ821M□□250050		330	603	483	1.6	35X30	ECS2GBZ331M□□350030
		162	130	2.7	30X40	ECS2DBZ821M□□300040			603	483	1.7	30x45	ECS2GBZ331M□□300045
195		156	2.5	35X30	ECS2DBZ821M□□350030	390	511	409	1.8	35x35	ECS2GBZ391M□□350035		
1000	133	107	3.1	30X45	ECS2DBZ102M□□30004		511	409	1.9	30X50	ECS2GBZ391M□□300050		
	160	128	2.8	35X35	ECS2DBZ102M□□350035	470	424	339	2.1	35x45	ECS2GBZ471M□□350045		
1200	111	89	3.4	30X50	ECS2DBZ122M□□300050	560	356	285	2.3	35x50	ECS2GBZ561M□□350050		
	133	107	3.2	35X40	ECS2DBZ122M□□350040	680	293	235	2.7	35x55	ECS2GBZ681M□□350055		
1500	107	85	3.8	35X50	ECS2DBZ152M□□350050	820	242	194	3.1	35x60	ECS2GBZ821M□□350060		
250 (300) 2E	100	1990	1592	0.68	22X25		ECS2EBZ101M□□220025	242	194	3.1	40x50	ECS2GBZ821M□□400050	
	180	1106	885	0.94	22X25	ECS2EBZ181M□□220025	68	2926	2341	0.57	22x30	ECS2WBZ680M□□220030	
	220	905	724	1.1	22X30	ECS2EBZ221M□□220030		82	2427	1941	0.68	25X35	ECS2WBZ820M□□250035
		905	724	1.1	25X25	ECS2EBZ221M□□250025	100	1990	1592	0.72	22X35	ECS2WBZ101M□□220035	
	270	737	590	1.2	22X35	ECS2EBZ271M□□220035		1990	1592	0.73	25x30	ECS2WBZ101M□□250030	
	330	603	483	1.4	22X40	ECS2EBZ331M□□220040	120	1658	1327	0.80	22X40	ECS2WBZ121M□□220040	
		603	483	1.4	25X30	ECS2EBZ331M□□250030		1658	1327	0.83	25x35	ECS2WBZ121M□□250035	
		603	483	1.5	30X25	ECS2EBZ331M□□300025	150	1327	1062	0.95	25x40	ECS2WBZ151M□□250040	
	390	511	409	1.6	22X45	ECS2EBZ391M□□220045		1327	1062	0.95	30x30	ECS2WBZ151M□□300030	
		511	409	1.6	25X35	ECS2EBZ391M□□250035		1327	1062	0.98	35x25	ECS2WBZ151M□□350025	
	470	424	339	1.8	22X50	ECS2EBZ471M□□220050	180	1106	885	1.1	25x45	ECS2WBZ181M□□250045	
		424	339	1.8	25X40	ECS2EBZ471M□□250040		1106	885	1.1	30x35	ECS2WBZ181M□□300035	
		424	339	1.8	30X30	ECS2EBZ471M□□300030		1106	885	1.2	35x25	ECS2WBZ181M□□350025	
		424	339	2.4	35X25	ECS2EBZ471M□□350025		220	905	724	1.2	25x50	ECS2WBZ221M□□250050
	560	356	285	2.0	25X45	ECS2EBZ561M□□250045	905		724	1.3	30x40	ECS2WBZ221M□□300040	
356		285	2.0	30X35	ECS2EBZ561M□□300035	905	724		1.3	35x30	ECS2WBZ221M□□350030		
680	293	235	2.3	30X40	ECS2EBZ681M□□300040	270	737	590	1.4	30X45	ECS2WBZ271M□□300045		
	293	235	2.6	35X30	ECS2EBZ681M□□350030		737	590	1.5	35x35	ECS2WBZ271M□□350045		
820	243	195	2.6	30X45	ECS2EBZ821M□□300045	330	603	480	1.7	30x50	ECS2WBZ331M□□300050		
	243	195	2.6	35X35	ECS2EBZ821M□□350035	390	511	409	1.9	35x45	ECS2WBZ391M□□350045		
1000	199	160	3.0	35X40	ECS2EBZ102M□□350040	470	424	339	2.2	35x50	ECS2WBZ471M□□350050		
1200	166	133	3.4	35X45	ECS2EBZ122M□□350045	560	356	285	2.4	35x55	ECS2WBZ561M□□350055		
315 (365) 2F	100	1990	1592	0.67	22X25	ECS2FBZ101M□□220025	680	293	235	2.8	35x60	ECS2WBZ681M□□350060	
	150	1327	1062	0.85	22X30	ECS2FBZ151M□□22003		293	235	2.8	40X50	ECS2WBZ681M□□400050	
		1327	1062	0.85	25X25	ECS2FBZ151M□□250025	820	242	194	3.2	35x65	ECS2WBZ821M□□350065	
	180	1106	885	0.96	22X35	ECS2FBZ181M□□220035		242	194	3.3	40x60	ECS2WBZ821M□□400060	
		1106	885	0.96	25X30	ECS2FBZ181M□□250030	100	1990	1592	0.90	30X25	ECS2HBZ101M□□300025	
	220	905	724	1.1	22X40	ECS2FBZ221M□□220040		1658	1327	1.0	30x30	ECS2HBZ121M□□300030	
		905	724	1.1	25X35	ECS2FBZ221M□□250035	1658	1327	1.0	35x25	ECS2HBZ121M□□350025		
		905	724	1.1	30X25	ECS2FBZ221M□□300025	150	1327	1062	1.2	30x35	ECS2HBZ151M□□300035	
	270	737	590	1.2	22X45	ECS2FBZ271M□□220045	180	1106	885	1.4	30x40	ECS2HBZ181M□□300040	
		737	590	1.3	25X40	ECS2FBZ271M□□250040		1106	885	1.3	35x30	ECS2HBZ181M□□350030	
		737	590	1.3	30X30	ECS2FBZ271M□□300030	220	905	724	1.6	30x45	ECS2HBZ221M□□300045	
		737	590	1.3	35X25	ECS2FBZ271M□□350025		905	724	1.5	35x35	ECS2HBZ221M□□350035	
	500 (550) 2H	737	590	1.8	30x50	ECS2HBZ271M□□300050	270	737	590	1.8	30x50	ECS2HBZ271M□□300050	
		737	590	1.7	35x40	ECS2HBZ271M□□350040		737	590	1.7	35x40	ECS2HBZ271M□□350040	
		330	603	483	2.0	35x45	ECS2HBZ331M□□350045	390	511	409	2.3	35x50	ECS2HBZ391M□□350050
390		511	409	2.3	35x50	ECS2HBZ391M□□350050	511		409	2.3	35x50	ECS2HBZ391M□□350050	

Customer products are available on request.

