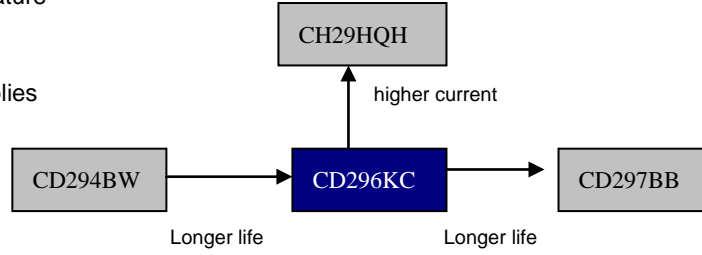


CD 296 KC SERIES



3000h at 105°C

- Long life at High Temperature
- High Ripple Current
- Professional Power Supplies



Items	Characteristics							
Operating Temperature Range(°C)	-40 ~ +105				-25~+105			
Voltage Range (V)	16~ 100				160~500			
Capacitance Range(µF)	56~47000							
Capacitance Tolerance (20°C,120Hz)	±20%							
Leakage Current (µA)	After 5 minutes at 20°C application of rated voltage, leakage current is not more than 0.01CV or 1.5mA, whichever is smaller C: Nominal Capacitance(µF) V: Rated Voltage(V)							
Dissipation Factor (20°C, 120Hz)	Rated Voltage(V)	16	25	35	50	63~100	160~400	450~500
	Tan δ(max)	0.50	0.40	0.35	0.30	0.20	0.15	0.20
Stability at Low Temperature (Impedance Ratio at 120Hz)	Rated Voltage(V)	16~100		160~200		250~500		
	Z _{-25°C} /Z _{+20°C}	4						
	Z _{-40°C} /Z _{+20°C}	15		-				

	Useful Life		Load Life	Endurance Test	Shelf Life
Life Time	5000h	>200000h	3000h	4000h	1000h
Leakage Current	Not more than specified value		Not more than specified value	Not more than specified value	Not more than specified value
Capacitance Change	Within ±30% of initial value		Within ±20% of initial value	Within ±20% of initial value	Within ±20% of initial value
Dissipation Factor	Not more than 300% of specified value		Not more than 200% of specified value	Not more than 200% of specified value	Not more than 200% of specified value
Condition:					
Applied Voltage	U _R	U _R	U _R	U _R	After test: U _R = 0 I _R = 0 105°C U _R to be applied for 30min>24h before measurement
Applied Current	I _R	1.4×I _R	I _R	I _R = 0	
Applied Temperature	105°C	40°C	105°C	105°C	

CD 296 KC SERIES



Frequency coefficient

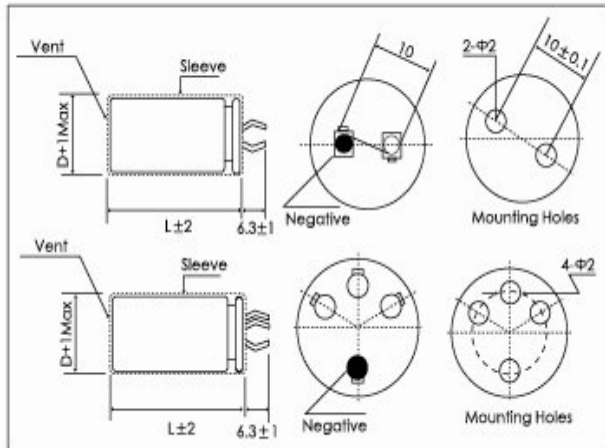
Frequency Voltage(v)	50/60Hz	120Hz	300Hz	1kHz	10kHz	≥ 50kHz
≤ 100	0.95	1.00	1.07	1.13	1.19	1.20
160~250	0.87	1.00	1.17	1.32	1.45	1.50
≥ 350	0.80	1.00	1.16	1.30	1.41	1.43

Temperature Coefficient

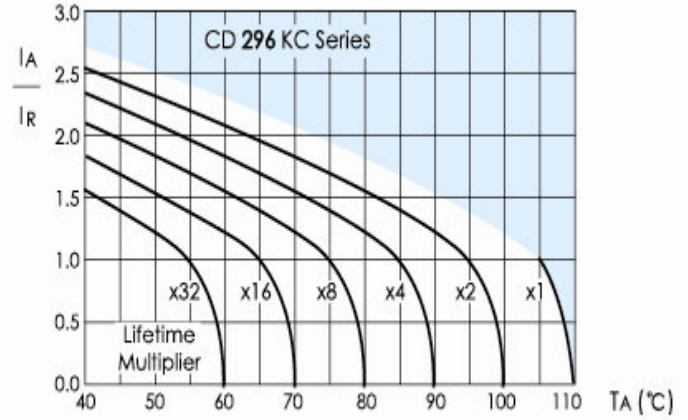
Temperature(°C)	+40	+55	+70	+80	+105
coefficient	2.7	2.5	2.1	1.7	1.00

Dimensions

mm



Lifetime Diagram



I_A = actual ripple current at 120Hz, I_R = rated ripple current at 120Hz, 105°C
Multiplier of Useful Life as a function of ambient temperature and ripple current load

Ratings for CD296 KC Series

U_R (Surge Voltage) Code	Rated Capacitance	Max ESR 20°C, 120Hz	Typ ESR 20°C, 120Hz	Rated Ripple Current 105°C, 120kHz	Size $\Phi D \times L$	P/N
(v)	(μF)	(Ω)	(Ω)	(mArms)	(mm)	
16 (20) 1C	6800	98	68	1.6	22×25	ECS1CKC682M□□220025
	8200	81	57	1.80	25×25	ECS1CKC822M□□250025
	10000	66	46	1.99	22×30	ECS1CKC103M□□220030
		66	46	1.99	25×25	ECS1CKC103M□□250025
	12000	55	39	2.28	22×35	ECS1CKC123M□□220035
		55	39	2.3	25×30	ECS1CKC123M□□250030
		55	39	2.38	30×25	ECS1CKC123M□□300025
	15000	44	31	2.64	22×40	ECS1CKC153M□□220040
		44	31	2.68	25×35	ECS1CKC153M□□250035
		37	26	2.98	22×45	ECS1CKC183M□□220045
	18000	37	26	3.04	25×40	ECS1CKC183M□□250040
		37	26	3	30×30	ECS1CKC183M□□300030
		37	26	3.1	35×25	ECS1CKC183M□□350025
		30	21	3.4	25×45	ECS1CKC223M□□250045
	22000	30	21	3.39	30×35	ECS1CKC223M□□300035
		25	17	3.81	25×50	ECS1CKC273M□□250050
	27000	25	17	3.83	30×40	ECS1CKC273M□□300040
		25	17	3.74	35×30	ECS1CKC273M□□350030
		20	14	4.3	30×45	ECS1CKC333M□□300045
	33000	20	14	4.24	35×35	ECS1CKC333M□□350035
17		12	4.74	30×50	ECS1CKC393M□□300050	
39000	17	12	4.72	35×40	ECS1CKC393M□□350040	
	14	10	5.27	35×45	ECS1CKC473M□□350045	
25 (32)	4700	113	79	1.55	22×25	ECS1EKC472M□□220025
	5600	95	66	1.70	25×25	ECS1EKC562M□□250025

U_R (Surge Voltage) Code	Rated Capacitance	Max ESR 20°C, 120Hz	Typ ESR 20°C, 120Hz	Rated Ripple Current 105°C, 120kHz	Size $\Phi D \times L$	P/N
(v)	(μF)	(Ω)	(Ω)	(mArms)	(mm)	
63(79)1 J	1200	221	155	1.25	22×25	ECS1JKC122M□□220025
	1500	177	124	1.39	22×25	ECS1JKC152M□□220025
	1800	147	103	1.52	22×30	ECS1JKC182M□□220030
		147	103	1.52	25×25	ECS1JKC182M□□250025
	2200	121	84	1.73	22×35	ECS1JKC222M□□220035
		121	84	1.75	25×30	ECS1JKC222M□□250030
	2700	98	69	1.97	22×40	ECS1JKC272M□□220040
		98	69	1.99	25×35	ECS1JKC272M□□250035
		98	69	1.93	30×25	ECS1JKC272M□□300025
	3300	80	56	2.32	22×50	ECS1JKC332M□□220050
		80	56	2.27	25×40	ECS1JKC332M□□250040
		80	56	2.24	30×30	ECS1JKC332M□□300030
		80	56	2.41	35×25	ECS1JKC332M□□350025
	3900	68	48	2.54	25×45	ECS1JKC392M□□250045
		68	48	2.55	30×35	ECS1JKC392M□□300035
	4700	57	40	2.88	25×50	ECS1JKC472M□□250050
		57	40	2.9	30×40	ECS1JKC472M□□300040
		57	40	2.83	35×30	ECS1JKC472M□□350030
	5600	47	33	3.28	30×45	ECS1JKC562M□□300045
		47	33	3.24	35×35	ECS1JKC562M□□350035
6800	39	27	3.73	30×50	ECS1JKC682M□□300050	
	39	27	3.71	35×40	ECS1JKC682M□□350040	
8200	32	23	4.16	35×45	ECS1JKC822M□□350045	
	10000	27	19	4.69	35×50	ECS1JKC103M□□350050
80(100)	820	324	227	1.11	22×25	ECS1KKC821M□□220025

CD 296 KC SERIES



1E	6800	78	55	1.91	22×30	ECS1EKC682M□□220030	1K	1000	265	186	1.25	22×25	ECS1KKC102M□□220025
		78	55	1.91	25×25	ECS1EKC682M□□250025		1200	221	155	1.39	22×30	ECS1KKC122M□□220030
	8200	65	45	2.14	22×35	ECS1EKC822M□□220035			1500	221	155	1.39	25×25
		65	45	2.16	25×30	ECS1EKC822M□□250030		177		124	1.61	22×35	ECS1KKC152M□□220035
	10000	65	45	2.25	30×25	ECS1EKC822M□□300025		1800	177	124	1.62	25×30	ECS1KKC152M□□250030
		53	37	2.4	22×40	ECS1EKC103M□□220040			147	103	1.83	22×40	ECS1KKC182M□□220040
	12000	53	37	2.44	25×35	ECS1EKC103M□□250035		2200	147	103	1.81	30×25	ECS1KKC182M□□300025
		44	3	2.69	22×45	ECS1EKC123M□□220045			121	84	2.09	22×45	ECS1KKC222M□□220045
		44	31	2.74	25×40	ECS1EKC123M□□250040			121	84	2.01	25×35	ECS1KKC222M□□250035
		44	31	2.7	30×30	ECS1EKC123M□□300030			121	84	2.1	30×30	ECS1KKC222M□□300030
	15000	44	31	2.8	35×25	ECS1EKC123M□□350025		2700	121	84	2.17	35×25	ECS1KKC222M□□350025
		35	25	3.15	25×45	ECS1EKC153M□□250045			98	69	2.43	25×45	ECS1KKC272M□□250045
		35	25	3.13	30×35	ECS1EKC153M□□300035			98	69	2.43	30×35	ECS1KKC272M□□300035
	18000	35	25	3.22	35×30	ECS1EKC153M□□350030		3300	80	56	2.76	25×50	ECS1KKC332M□□250050
		30	21	3.54	25×50	ECS1EKC183M□□250050			80	56	2.78	30×40	ECS1KKC332M□□300040
		30	21	3.54	30×40	ECS1EKC183M□□300040			80	56	2.71	35×30	ECS1KKC332M□□350030
	22000	24	17	4.24	30×45	ECS1EKC223M□□300045		3900	68	48	3.12	30×45	ECS1KKC392M□□300045
		24	17	3.96	35×35	ECS1EKC223M□□350035			68	48	3.07	35×35	ECS1KKC392M□□350035
	27000	20	14	4.75	35×45	ECS1EKC273M□□350045		4700	57	40	3.56	30×50	ECS1KKC472M□□300050
	33000	16	11	5.39	35×50	ECS1EKC333M□□350050			57	40	3.5	35×40	ECS1KKC472M□□350040
35 (44) 1V	3300	141	99	1.43	22×25	ECS1VKC332M□□220025	5600	47	33	3.87	35×45	ECS1KKC562M□□350045	
	3900	119	83	1.65	22×30	ECS1VKC392M□□220030	6800	39	27	4.19	35×50	ECS1KKC682M□□350050	
	4700	99	69	1.78	25×25	ECS1VKC472M□□250025	560	474	332	1.07	22×25	ECS2AKC561M□□220025	
		83	58	2.02	22×35	ECS1VKC562M□□220035	680	391	274	1.20	22×30	ECS2AKC681M□□220030	
	5600	83	58	2.04	25×30	ECS1VKC562M□□250030	820	324	227	1.35	22×30	ECS2AKC821M□□220030	
		83	58	2.12	30×25	ECS1VKC562M□□300025		324	227	1.35	25×25	ECS2AKC821M□□250025	
	6800	68	48	2.28	22×40	ECS1VKC682M□□220040	1000	265	186	1.54	22×35	ECS2AKC102M□□220035	
		68	48	2.31	25×35	ECS1VKC682M□□250035		265	186	1.56	25×30	ECS2AKC102M□□250030	
	8200	57	40	2.67	22×50	ECS1VKC822M□□220050	1200	221	155	1.74	22×40	ECS2AKC122M□□220040	
		57	40	2.6	25×40	ECS1VKC822M□□250040		221	155	1.76	25×35	ECS2AKC122M□□250035	
		57	40	2.56	30×30	ECS1VKC822M□□300030		221	155	1.71	30×25	ECS2AKC122M□□300025	
		57	40	2.78	35×25	ECS1VKC822M□□350025		1500	177	124	1.99	22×45	ECS2AKC152M□□220045
	10000	46	33	2.92	25×45	ECS1VKC103M□□250045	177		124	2.03	25×40	ECS2AKC152M□□250040	
		46	33	2.92	30×35	ECS1VKC103M□□300035	177		124	2	30×30	ECS2AKC152M□□300030	
	12000	39	27	3.26	25×50	ECS1VKC123M□□250050	1800	177	124	2.07	35×25	ECS2AKC152M□□350025	
		39	27	3.28	30×40	ECS1VKC123M□□300040		147	103	2.28	25×45	ECS2AKC182M□□250045	
	15000	39	27	3.2	35×30	ECS1VKC123M□□350030	2200	147	103	2.27	30×35	ECS2AKC182M□□300035	
		31	22	3.74	30×45	ECS1VKC153M□□300045		121	84	2.57	25×50	ECS2AKC222M□□250050	
	18000	31	22	3.69	35×35	ECS1VKC153M□□350035	2700	121	84	2.59	30×40	ECS2AKC222M□□300040	
		26	18	4.16	35×40	ECS1VKC183M□□350040		121	84	2.52	35×30	ECS2AKC222M□□350030	
22000	21	15	4.92	35×50	ECS1VKC223M□□350050	3300	98	69	2.94	30×45	ECS2AKC272M□□300045		
1800	221	155	1.31	22×25	ECS1HKC182M□□220025		98	69	2.9	35×35	ECS2AKC272M□□350035		
50 (63) 1H	2200	181	127	1.45	22×30	ECS1HKC222M□□220030	3900	80	56	3.32	30×50	ECS2AKC332M□□300050	
	2700	147	103	1.7	22×30	ECS1HKC272M□□220030		80	56	3.31	35×40	ECS2AKC332M□□350040	
		3300	147	103	1.7	25×25	ECS1HKC272M□□250025	4700	68	48	3.69	35×45	ECS2AKC392M□□350045
	121		84	1.98	22×35	ECS1HKC332M□□220035	57		40	4.14	35×50	ECS2AKC472M□□350050	
	3900	121	84	2	25×30	ECS1HKC332M□□250030	330	603	422	1.16	22×25	ECS2CKC331M□□220025	
		102	72	2.25	22×40	ECS1HKC392M□□220040	390	510	357	1.43	22×30	ECS2CKC391M□□220030	
	4700	102	72	2.28	25×35	ECS1HKC392M□□250035	470	424	296	1.52	22×35	ECS2CKC471M□□220035	
		102	72	2.22	30×25	ECS1HKC392M□□300025		424	296	1.55	25×25	ECS2CKC471M□□250025	
		85	59	2.56	22×45	ECS1HKC472M□□220045		560	355	249	1.62	22×40	ECS2CKC561M□□250040
	5600	85	59	2.58	30×30	ECS1HKC472M□□300030	355		249	1.73	25×30	ECS2CKC561M□□250030	
		6800	85	59	2.67	35×25	ECS1HKC472M□□350025	680	293	205	1.7	22×45	ECS2CKC681M□□220045
	71		50	2.89	22×50	ECS1HKC562M□□220050	293		205	1.81	25×35	ECS2CKC681M□□250035	
	71		50	2.81	25×40	ECS1HKC562M□□250040	293		205	1.82	30×25	ECS2CKC681M□□300025	
	8200	71	50	2.95	30×35	ECS1HKC562M□□300035	820	243	170	1.91	22×50	ECS2CKC821M□□220050	
		59	41	3.37	25×50	ECS1HKC682M□□250050		243	170	1.98	25×40	ECS2CKC821M□□250040	
		59	41	3.39	30×40	ECS1HKC682M□□300040		243	170	1.98	30×30	ECS2CKC821M□□300030	
	10000	59	41	3.31	35×30	ECS1HKC682M□□350030	1000	243	170	1.93	35×25	ECS2CKC821M□□350025	
		49	34	3.71	30×45	ECS1HKC822M□□300045		199	139	2.04	25×45	ECS2CKC102M□□250045	
	50000	49	34	3.66	35×35	ECS1HKC822M□□350035	199	139	2.14	30×35	ECS2CKC102M□□300035		

CD 296 KC SERIES



10000	40	28	4.09	30×50	ECS1HKC103M□□300050
	40	28	4.07	35×40	ECS1HKC103M□□350040
	12000	33	23	4.5	35×45

1200	166	116	2.12	25×50	ECS2CKC122M□□250050
	166	116	2.22	30×40	ECS2CKC122M□□300040
	166	116	2.4	35×30	ECS2CKC122M□□350030

Ratings for CD296 KC Series

U _r (Surge Voltage) Code	Rated Capacitance	Max ESR 20°C, 120Hz	Typ ESR 20°C, 120Hz	Rated Ripple Current t 105°C, 120kHz	Size Φ D x L	P/N	
(v)	(μF)	(Ω)	(Ω)	(mA Arms)	(mm)	-	
160(20) 0)2C	1500	133	93	2.46	30×45	ECS2CKC152M□□300045	
		133	93	2.53	35×35	ECS2CKC152M□□350035	
	1800	111	77	2.98	35×45	ECS2CKC182M□□350045	
		2200	91	63	3.1	35×50	ECS2CKC222M□□350050
180(22) 5)2K	270	737	516	1.08	22×25	ECS2KKC271M□□220025	
		330	603	422	1.3	22×30	ECS2KKC331M□□220030
		390	510	357	1.35	25×25	ECS2KKC391M□□250025
	470	424	296	1.5	22×35	ECS2KKC471M□□220035	
		424	296	1.62	25×30	ECS2KKC471M□□250030	
	560	355	249	1.62	22×40	ECS2KKC561M□□220040	
		355	249	1.69	25×35	ECS2KKC561M□□250035	
		355	249	1.67	30×25	ECS2KKC561M□□300025	
	680	293	205	1.76	22×50	ECS2KKC681M□□220050	
			205	1.72	25×40	ECS2KKC681M□□250040	
		293	205	1.74	30×30	ECS2KKC681M□□300030	
			205	1.92	35×25	ECS2KKC681M□□350025	
	820	243	170	1.78	25×45	ECS2KKC821M□□250045	
		243	170	1.85	30×35	ECS2KKC821M□□300035	
	1000	199	139	1.91	25×50	ECS2KKC102M□□250050	
		199	139	2.01	30×40	ECS2KKC102M□□300040	
		199	139	2.16	35×30	ECS2KKC102M□□350030	
	1200	166	116	2.19	30×45	ECS2KKC122M□□300045	
		166	116	2.34	35×35	ECS2KKC122M□□350035	
	1500	133	93	2.36	30×50	ECS2KKC152M□□300050	
		133	93	2.56	35×40	ECS2KKC152M□□350040	
	1800	111	77	2.67	35×45	ECS2KKC182M□□350045	
		220	905	633	1.08	22×25	ECS2DKC221M□□220025
	200(25) 0)2D	330	603	422	1.3	22×30	ECS2DKC331M□□220030
603			422	1.35	25×25	ECS2DKC331M□□250025	
390		510	357	1.41	22×35	ECS2DKC391M□□220035	
		470	424	296	1.5	22×40	ECS2DKC471M□□220040
424			296	1.47	25×30	ECS2DKC471M□□250030	
424			296	1.56	30×25	ECS2DKC471M□□300025	
560		355	249	1.58	22×45	ECS2DKC561M□□220045	
		355	249	1.60	25×35	ECS2DKC561M□□250035	
680		293	205	1.78	22×50	ECS2DKC681M□□220050	
			205	1.8	25×40	ECS2DKC681M□□250040	
		293	205	1.82	30×30	ECS2DKC681M□□300030	
			205	1.86	35×25	ECS2DKC681M□□350025	
820		243	170	1.97	25×50	ECS2DKC821M□□250050	
		243	170	1.99	30×35	ECS2DKC821M□□300035	
			170	2.07	35×30	ECS2DKC821M□□350030	
1000		199	139	2.17	30×45	ECS2DKC102M□□300045	
		199	139	2.22	35×35	ECS2DKC102M□□350035	
1200		166	116	2.32	30×50	ECS2DKC122M□□300050	
		166	116	2.42	35×40	ECS2DKC122M□□350040	
1500		133	93	2.59	35×45	ECS2DKC152M□□350045	
		1800	111	77	2.7	35×50	ECS2DKC182M□□350050
250(30) 0)2E		180	1106	774	0.94	22×25	ECS2EKC181M□□220025
		220	905	633	1.1	22×30	ECS2EKC221M□□220030

U _r (Surge Voltage) Code	Rated Capacitance	Max ESR 20°C, 120Hz	Typ ESR 20°C, 120Hz	Rated Ripple Current 105°C, 120kHz	Size Φ D x L	P/N
(v)	(μF)	(Ω)	(Ω)	(mA Arms)	(mm)	-
400 (450) 2)G	68	2927	1522	0.47	22×25	ECS2GKC680M□□220025
		2427	1262	0.56	22×30	ECS2GKC820M□□220030
	82	2427	1262	0.56	25×25	ECS2GKC820M□□250025
		1990	1035	0.62	22×30	ECS2GKC101M□□220030
	120	1659	863	0.66	22×35	ECS2GKC121M□□220035
		1659	863	0.68	25×30	ECS2GKC121M□□250030
		1659	863	0.70	30×25	ECS2GKC121M□□300025
	150	1327	690	0.73	22×40	ECS2GKC151M□□220040
		1327	690	0.73	25×35	ECS2GKC151M□□250035
	180	1106	575	0.78	22×50	ECS2GKC181M□□220050
		1106	575	0.82	25×40	ECS2GKC181M□□250040
		1106	575	0.83	30×30	ECS2GKC181M□□300030
		1106	575	0.86	35×25	ECS2GKC181M□□350025
	220	905	471	0.87	25×45	ECS2GKC221M□□250045
		905	471	0.96	30×35	ECS2GKC221M□□300035
	270	737	383	0.94	25×50	ECS2GKC271M□□250050
		737	383	0.95	30×40	ECS2GKC271M□□300040
		737	383	0.91	35×30	ECS2GKC271M□□350030
	330	603	314	1.11	30×45	ECS2GKC331M□□300045
		603	314	1.13	35×35	ECS2GKC331M□□350035
	390	510	265	1.15	30×50	ECS2GKC391M□□300050
		510	265	1.26	35×40	ECS2GKC391M□□350040
	470	424	220	1.31	35×45	ECS2GKC471M□□350045
		355	185	1.5	35×50	ECS2GKC561M□□350050
680	293	153	1.9	35×55	ECS2GKC681M□□350055	
	820	242	126	2.2	35×60	ECS2GKC821M□□350060
242		126	2.2	40×50	ECS2GKC821M□□400050	
450 (500) 2)W	56	4739	2370	0.47	22×25	ECS2WKC560M□□220025
		3903	1951	0.56	22×30	ECS2WKC680M□□220030
	68	3903	1951	0.56	25×25	ECS2WKC680M□□250025
		3237	1618	0.64	22×35	ECS2WKC821M□□220035
	100	2654	1327	0.7	22×40	ECS2WKC101M□□220040
		2654	1327	0.7	25×30	ECS2WKC101M□□250030
		2654	1327	0.7	30×25	ECS2WKC101M□□300025
	120	2212	1106	0.73	22×45	ECS2WKC121M□□220045
		2212	1106	0.73	25×35	ECS2WKC121M□□250035
	150	1769	885	0.80	22×50	ECS2WKC151M□□220050
		1769	885	0.82	25×40	ECS2WKC151M□□250040
		1769	885	0.83	30×30	ECS2WKC151M□□300030
		1769	885	0.86	35×25	ECS2WKC151M□□350025
	180	1474	737	0.87	25×45	ECS2WKC181M□□250045
		1474	737	0.86	30×35	ECS2WKC181M□□300035
	220	1206	603	0.94	25×50	ECS2WKC221M□□250050
		1206	603	0.95	30×40	ECS2WKC221M□□300040
		1206	603	0.91	35×30	ECS2WKC221M□□350030
	270	983	492	1.11	30×45	ECS2WKC271M□□300045
		983	492	1.13	35×35	ECS2WKC271M□□350035
	330	804	402	1.15	30×50	ECS2WKC331M□□300050
		804	402	1.26	35×40	ECS2WKC331M□□350040
	390	681	340	1.31	35×45	ECS2WKC391M□□350045

CD 296 KC SERIES



	905	633	1.15	25×25	ECS2EKC221M□□250025	
270	737	516	1.13	22×35	ECS2EKC271M□□220035	
330	603	422	1.2	22×40	ECS2EKC271M□□220040	
	603	422	1.3	25×30	ECS2EKC331M□□250030	
	603	422	1.3	30×25	ECS2EKC331M□□300025	
390	510	357	1.41	22×45	ECS2EKC391M□□220045	
	510	357	1.42	25×35	ECS2EKC391M□□250035	
470	424	296	1.48	22×50	ECS2EKC471M□□220050	
	424	296	1.47	25×40	ECS2EKC471M□□250040	
	424	296	1.51	30×30	ECS2EKC471M□□300030	
	424	296	1.50	35×25	ECS2EKC471M□□350025	
560	355	249	1.59	25×45	ECS2EKC561M□□250045	
	355	249	1.57	30×35	ECS2EKC561M□□300035	
	355	249	1.56	35×30	ECS2EKC561M□□350030	
680	293	205	1.66	25×50	ECS2EKC681M□□250050	
	293	205	1.68	30×40	ECS2EKC681M□□300040	
820	243	170	1.83	30×45	ECS2EKC821M□□300045	
	243	170	1.82	35×35	ECS2EKC821M□□350035	
1000	199	139	1.87	30×50	ECS2EKC102M□□300050	
	199	139	1.99	35×40	ECS2EKC102M□□350040	
1200	166	116	2.1	35×45	ECS2EKC122M□□350045	
350 (400) 2V	68	2927	1610	0.56	22×25	ECS2VKC680M□□220025
	100	1990	1095	0.7	22×30	ECS2VKC101M□□220030
		1990	1095	0.7	25×25	ECS2VKC101M□□250025
	120	1659	912	0.73	22×35	ECS2VKC121M□□220035
	150	1327	730	0.79	22×40	ECS2VKC151M□□220040
		1327	730	0.82	25×30	ECS2VKC151M□□250030
		1327	730	0.82	30×25	ECS2VKC151M□□300025
	180	1106	608	0.81	22×45	ECS2VKC181M□□220045
		1106	608	0.89	25×35	ECS2VKC181M□□250035
		1106	608	0.9	30×30	ECS2VKC181M□□300030
	220	905	498	0.93	22×50	ECS2VKC221M□□220050
		905	498	0.97	25×40	ECS2VKC221M□□250040
		905	498	0.98	35×25	ECS2VKC221M□□350025
	270	737	406	1.01	25×50	ECS2VKC271M□□250050
		737	406	1.05	30×35	ECS2VKC271M□□300035
		737	406	1.01	35×30	ECS2VKC271M□□350030
	330	603	332	1.16	30×45	ECS2VKC331M□□300045
		603	332	1.16	35×35	ECS2VKC331M□□350035
	390	510	281	1.26	30×50	ECS2VKC391M□□300050
		510	281	1.26	35×40	ECS2VKC391M□□350040
470	424	233	1.35	35×45	ECS2VKC471M□□350045	
560	355	196	1.51	35×50	ECS2VKC561M□□350050	

	470	565	282	1.5	35×50	ECS2WKC471M□□350050
	560	473	237	1.7	35×55	ECS2WKC561M□□350055
680	391	196	2.0	35×60	ECS2WKC681M□□350060	
	391	196	2.0	40×50	ECS2WKC681M□□400050	
820	324	162	2.2	35×65	ECS2WKC821M□□350065	
	324	162	2.3	40×60	ECS2WKC821M□□400060	
500 (550) 2H	47	5647	2823	0.41	22×30	ECS2HKC470M□□220030
	56	4739	2370	0.47	22×30	ECS2HKC560M□□220030
	68	3903	1951	0.54	22×35	ECS2HKC680M□□220035
		3903	1951	0.54	25×30	ECS2HKC680M□□250030
	82	3237	1618	0.62	22×40	ECS2HKC820M□□220040
		3237	1618	0.62	25×35	ECS2HKC820M□□250035
	100	2654	1327	0.67	22×45	ECS2HKC101M□□220045
		2654	1327	0.67	25×40	ECS2HKC101M□□250040
		2654	1327	0.67	30×30	ECS2HKC101M□□300030
	120	2212	1106	0.77	22×50	ECS2HKC121M□□220050
		2212	1106	0.74	25×40	ECS2HKC121M□□250040
		2212	1106	0.77	30×35	ECS2HKC121M□□300035
		2212	1106	0.80	35×30	ECS2HKC121M□□350030
	150	1769	885	0.82	25×45	ECS2HKC151M□□250045
		1769	885	0.85	30×40	ECS2HKC151M□□300040
		1769	885	0.85	35×35	ECS2HKC151M□□350035
	180	1474	737	0.98	25×50	ECS2HKC181M□□250050
		1474	737	1.01	30×45	ECS2HKC181M□□300045
	220	1206	603	1.12	30×50	ECS2HKC221M□□300050
		1206	603	1.12	35×40	ECS2HKC221M□□350040
270	983	492	1.25	30×50	ECS2HKC271M□□300050	
	983	492	1.25	35×40	ECS2HKC271M□□350040	
330	804	402	1.36	35×45	ECS2HKC331M□□350045	
390	681	340	1.54	35×50	ECS2HKC391M□□350050	
470	565	282	1.69	35×60	ECS2HKC471M□□350060	

Customer products are available on request

