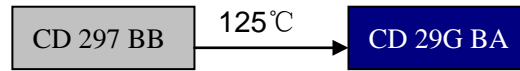


# CD 29G BA SERIES



5000h at 125°C

- Long life at High Temperature
- High Ripple Current
- Professional Power Supplies



Items	Characteristics										
Operating Temperature Range(°C)	-40 ~ +125										
Voltage Range (V)	25~63										
Capacitance Range(µF)	1000~18000										
Capacitance Tolerance (20°C,120Hz)	±20%										
Leakage Current (µA)	After 5 minutes at 20°C application of rated voltage, leakage current is not more than 0.01CV or 1.5mA, whichever is smaller. C: Nominal Capacitance(µF) V: Rated Voltage(V)										
Dissipation Factor (20°C, 120Hz)	<table border="1"> <thead> <tr> <th>Rated Voltage(V)</th> <th>25</th> <th>35</th> <th>50</th> <th>63</th> </tr> </thead> <tbody> <tr> <td>Tan δ(max)</td> <td>0.20</td> <td>0.15</td> <td>0.10</td> <td>0.10</td> </tr> </tbody> </table>	Rated Voltage(V)	25	35	50	63	Tan δ(max)	0.20	0.15	0.10	0.10
Rated Voltage(V)	25	35	50	63							
Tan δ(max)	0.20	0.15	0.10	0.10							
Resistance to vibrations	Snap-in type with 3 terminals, the capacitor shall be clamped by its body. Frequency range: 10-2000Hz Amplitude: 0.75mm Acceleration max: 10g Duration: 3x2 hours										

	Useful Life		Load Life	Endurance Test	Shelf Life		
Life Time	10000 h	≥ 300000h	5000h	5000h	1000h	4000h	10years
Leakage Current	Not more than specified value		Not more than specified value	Not more than specified value	Not more than specified value		
Capacitance Change	Within ±30% of initial value		Within ±20% of initial value	Within ±20% of initial value	Within ±20% of initial value		
Dissipation Factor	Not more than 300% of specified value		Not more than 200% of specified value	Not more than 200% of specified value	Not more than 200% of specified value		
Condition: Applied Voltage Applied Current Applied Temperature	U <sub>R</sub> I <sub>R</sub> 125°C	U <sub>R</sub> 1.4×I <sub>R</sub> 60°C	U <sub>R</sub> I <sub>R</sub> 125°C	U <sub>R</sub> I <sub>R</sub> = 0 125°C	U <sub>R</sub> = 0 I <sub>R</sub> = 0 125°C	U <sub>R</sub> = 0 I <sub>R</sub> = 0 105°C	U <sub>R</sub> = 0 I <sub>R</sub> = 0 40°C
After test: U <sub>R</sub> to be applied for 30min>24h before measurement							

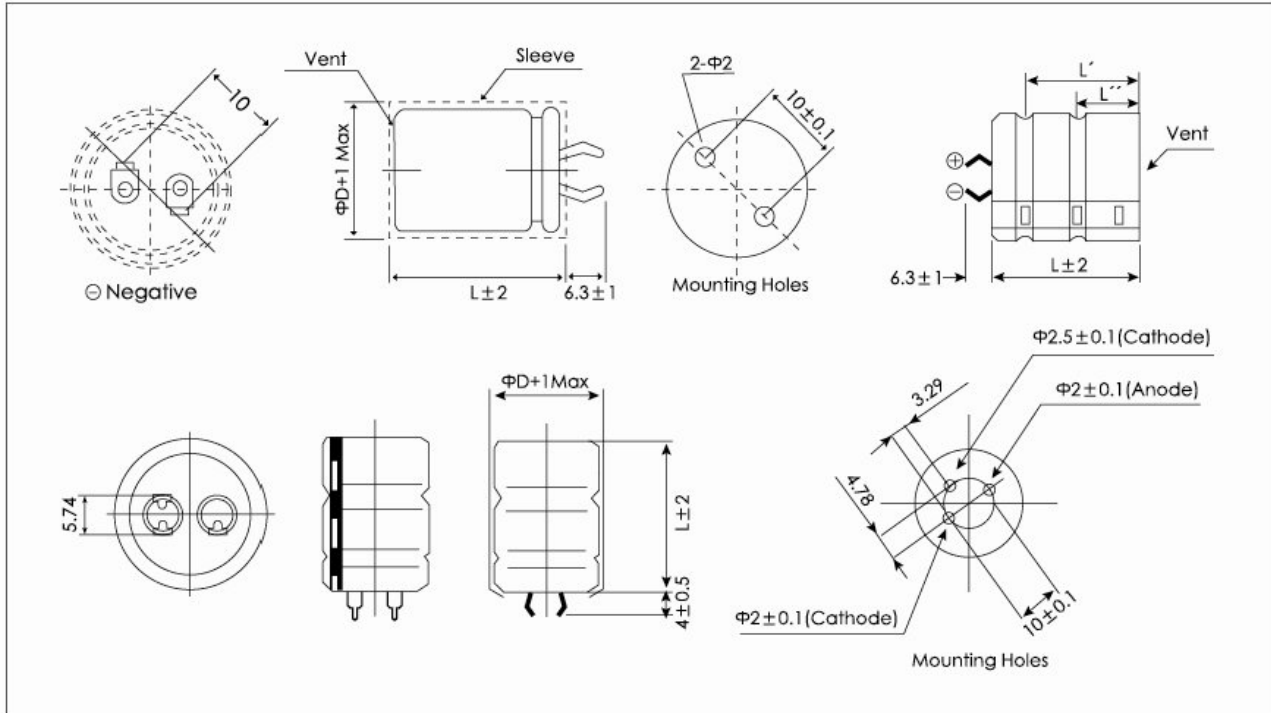
## Frequency coefficient

Frequency	50/60Hz	120Hz	300Hz	1kHz	≥ 10kHz
coefficient	0.56	0.7	0.83	0.92	1.00

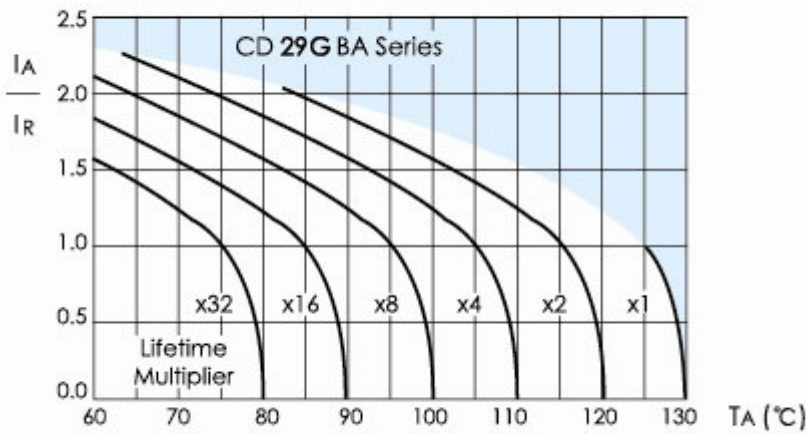
## Temperature Coefficient

Temperature(°C)	+60	+85	+105	+125
coefficient	2.3	2.0	1.7	1.0

## Dimensions



## Lifetime Diagram



$I_A$  = actual ripple current at 10KHz,  $I_R$  = rated ripple current at 10KHz, 125°C  
Multiplier of Useful Life as a function of ambient temperature and ripple current load

## Ratings for CD29G BA Series

$U_R$ (Surge Voltage) Code	Rated Capacitance	Max ESR 20°C, 120Hz	Typ ESR 20°C, 120Hz	Rated Ripple Current 105°C, 100kHz	Size $\Phi D \times L$	P/N
(v)	( $\mu F$ )	(m $\Omega$ )	(m $\Omega$ )	(Arms)	(mm)	-
25 (32) 1E	3900	34	32	4.5	25x35	ECS1EBA392M□□250035
	5600	27	23	5.3	25x40	ECS1EBA562M□□250040
	6800	19	15	6.9	25x40	ECS1EBA682M□□250040
	10000	14	12	8.8	25X50	ECS1EBA103M□□250050
	12000	12	11	9.6	30X50	ECS1EBA123M□□300050
	18000	11	10	9.7	35X50	ECS1EBA183M□□350050
35 (44) IV	2200	45	32	4.5	25X35	ECS1VBA222M□□250035
	3300	31	24	5.0	22x40	ECS1VBA332M□□220040
	3900	22	15	7.0	25x40	ECS1VBA392M□□250040
	5600	16	11	9.1	25X50	ECS1VBA562M□□250050
	6800	14	11	9.5	30X50	ECS1VBA682M□□300050
	10000	12	10	10.1	35X50	ECS1VBA103M□□350050
50	1000	70	40	4.0	25X35	ECS1HBA102M□□250035

# CD 29G BA SERIES



(63) 1H	1800	37	24	5.0	25X35	ECS1HBA182M□□250035
	2700	24	15	6.9	25x40	ECS1HBA272M□□250040
	3900	18	12	8.8	25X50	ECS1HBA392M□□250050
	5600	15	11	9.8	30X50	ECS1HBA562M□□300050
	6800	13	11	9.9	35X50	ECS1HBA682M□□350050
63 (79) 1J	1000	60	40	3.0	25X35	ECS1JBA102M□□250035
	1500	39	23	4.9	25X35	ECS1JBA152M□□250035
	2200	26	15	6.9	25x40	ECS1JBA222M□□250040
	2700	21	12	8.8	25X50	ECS1JBA272M□□250050
	3900	16	11	9.5	30X50	ECS1JBA392M□□300050
	5600	13	11	9.8	35X50	ECS1JBA562M□□350050

Customer products are available on request.