



■ **Features**

- Used in DC-Link circuits, can replace electrolytic capacitor
- PP film design, good temperature characteristics
- Stable capacity
- Low ESR, high ripple current handing capabilities
- Low Ls
- Long life
- Self-healing property
- Customized configurations
- Plastic case , filled with fire-retardant resin

■ **Applications**

- Used in Inverters of wind power and solar power
- Welders, Elevators, Motor Driver systems

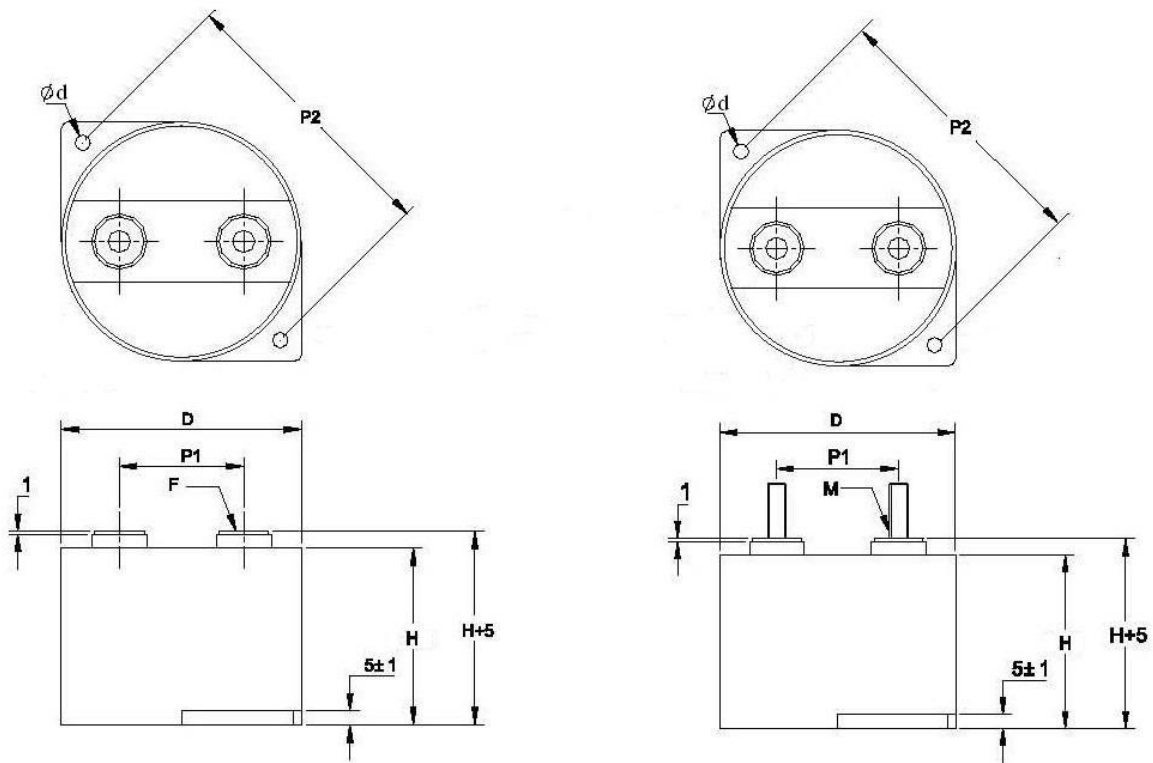
■ **特点**

- 直流滤波用，可替代电解电容器
- 采用聚丙烯薄膜，温度特性好
- 容值稳定，变化率小
- 等效串联电阻小，能承受较大的纹波电流
- 自感小
- 寿命长
- 有自愈性
- 客户订制
- 塑壳，阻燃树脂灌封

■ **应用场合**

- 风能发电，太阳能发电
- 焊接设备，电梯，电机驱动

■ **外型图 Dimensions**



mm

ΦD±1	H±1	P1±1	P2±1	Output		Φ d
				F	M	
85	65	45	101	M6*10	M8*20	5.5
85	51	45	101	M6*10	M8*20	5.5



■ 标识 Marking

	—	1
CBB136	—	2
220μF ±10%	—	3
U_R = 800 VDC	—	4
U _{TC} = 3000V 50/60Hz	—	5
-40~+85℃ IEC61071	—	6
Discharge before handling	—	7
C20F01	—	8

NO	项 目 Item
1	商 标 Brand
2	产品系列 Products series
3	容量和偏差 Capacitance and Tolerance
4	额定电压 Rated voltage
5	端子与铝壳电压 UTC Voltage Between Terminals and Case
6	温度范围 Temperature Range 引用标准 Reference Standard
7	安全警示 Safety warning
8	年度标记 Year code

■ 性能特性 Specifications

项目 Item	特性 Characteristics	
引用标准 Reference Standard	GB/T 17702 (IEC 61071)	
气候类别 Climatic Category	40/85/56	
工作温度范围 Operating Temperature Range	-40~+85 °C [$\Theta_{\max(\text{hotspot})} \leq 85 \text{ °C}$]	
存储温度范围 Storage Temperature Range	-40~+85 °C	
额定电压 U _R Rated Voltage	600~1200 V _{DC}	
电容量范围 Capacitance Range	50 ~ 280 μF	
电容量偏差 Capacitance Tolerance	±5% (J), ±10% (K)	
端子与端子电压 U _{TT} Voltage Between Terminals	1.5×U _{RDC} , 10S	
端子与铝壳电压 U _{TC} Voltage Between Terminals and Case	2×U _i +1000 or 3000 (V _{AC}) 取大者, 10 s(20 °C, 50 Hz)	
介质损耗角正切 Dielectric Dissipation Factor	≤2×10 ⁻⁴	
绝缘电阻 Insulation Resistance	≥5000 MΩ·μF (20 °C, 100V _{DC} , 1min)	
过电压 Over Voltage	1.1 U _R (30 % of on-load-duration)	
	1.15 U _R (30 min/day)	
	1.2 U _R (5 min/day)	
	1.3 U _R (1 min/day)	
	1.5 U _R (30 ms every time, 100 ms/day)	
最大电极扭矩 Max Torque of terminals	M6 (Female) : 5 Nm	M8 (Male) : 8Nm
最大安装扭矩 Max Torque of installation	3.5 Nm	
预期寿命 t _{LD} Life Expectancy	100000 hours (U _R , $\Theta_{\text{hotspot}}=70 \text{ °C}$)	
失效率 Failure Rate	50 Fit	



■ 规格标准 Standard Ratings

U _R (V)	C _R (μF)	P/N	I _{max} * (A)	R _{th} * [K/W]	Î(A)	R _S (mΩ)	L _S (nH)	D (mm)	H (mm)
600	200	FCC2SDP207*K051*40	55	4.2	4000	1.2	20	85	51
	280	FCC2SDP287*K065*40	65	5.5	3700	1.4	30	85	65
800	120	FCC2KDP127*K051*40	55	4.2	3000	1.2	20	85	51
	220	FCC2KDP227*K065*40	65	5.5	3000	1.4	30	85	65
1000	75	FCC3ADP756*K051*40	50	4.2	2400	1.4	20	85	51
	110	FCC3ADP117*K065*40	60	5.5	2300	1.7	30	85	65
1200	50	FCC3BDP506*K051*40	50	4.2	2000	1.6	20	85	51
	80	FCC3BDP806*K065*40	60	5.5	2000	2.0	30	85	65

Customer products are available on request.

* I_{max} 为环境温度在 40℃时允许的最大纹波电流

Maximum permissible Ripple current at the ambient temperature of 40℃

* R_{th} 为产品热点到环境的热阻（自然冷却）

The thermal Resistance from hotspot to ambient environment.(Natural cooling)

■ 预期寿命曲线 Expected lifetime curve

